

Cortizo Bifold Plus Specification & Detail Guide



Apply Aluminium
Suite 5B



Blackthorn House
Skull House Lane
Appley Bridge
WN6 7DB



www.Appleyaluminium.co.uk



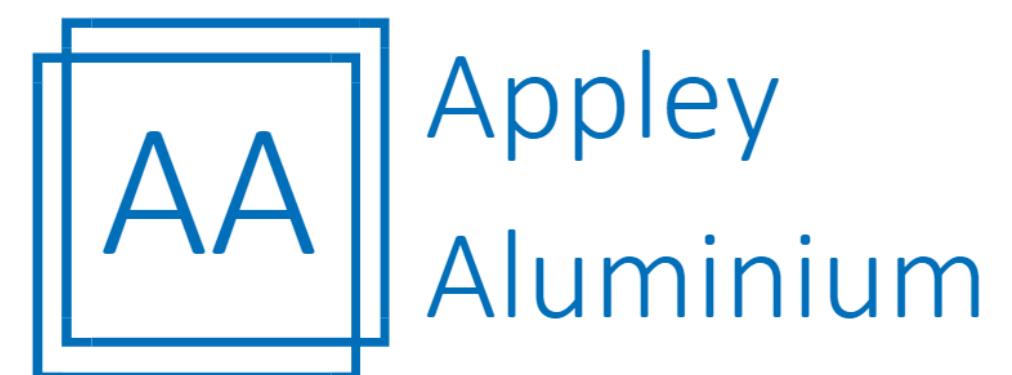
Email: Hello@Appleyaluminium.co.uk



Tel: 01942 835 096

Contents

System Overview	4
Performance & Limitations	5
Minimum & Maximum Sizes	6
Configurations	8
Standard Details	16





BI-FOLD PLUS

Cortizo Bifold Plus Overview

Profile Specification

Outer Frame Depth: 80mm

Sash Height: 49mm

Sash Sightline: 110mm

Weathered Threshold Height: 46.5mm

Non Weathered Threshold Height: 28.5mm

Cill options: 90mm, 150mm,
180mm & 230mm

Cill Height: 25mm



Options & Extras

Single Door , French Door , Bi-fold & Floating Corner Configurations available

Accommodates double & triple glazing with thickness from 24mm to 48mm

Weathered or non-weathered thresholds are available with the possibility to integrate with an Aco drain

Open in or open out options

Available in woodgrain effect, textured, anodized & over 150 different RAL colors

Dual colour options available

Marine finish option

Three star keyed euro cylinder options

Door-to-window coupling available

Fixed transom or Astragal bar available

2792EA. 4069EA & 5235EA Trickle vents available

Features

*10 Year Warranty

Double bearing system with a gimbal stabilizer

Possibility of providing preassembled gaskets for faster install

45 mm thermal bridge break

48mm glazing capacity

High security multi point lock

Stainless steel track

Possibility for PAS24 (Enhanced security)

Designed to achieve hurricane standards DP40, complete with panel stabilization

One star keyed euro cylinder as standard



*Warranty is based on the location of where the doors will be installed.

Full terms and conditions can be found on the Appley Aluminium website - www.AppleyAluminium.co.uk

Cortizo Bifold Plus Performance & Limitations

Individual Sash Limitations

Maximum Sash Width: 1200mm

Maximum Sash Height: 3000mm

Maximum Weight: 120Kg

Thermal Performance

Double Glazing: from 1.2 (W/m2k)*

Triple Glazing: from 0.8 (W/m2k)*

Water Tightness

Class E750

Wind Resistance

Class C3

Repeated openings and closings

50,000 cycles (Main swing door)

25,000 cycles (Even sashes)

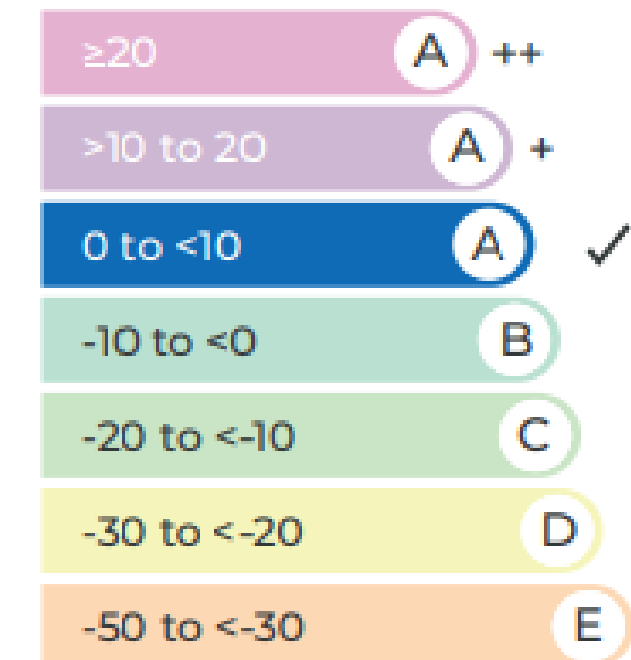
Air permeability

Class 4

Security Test

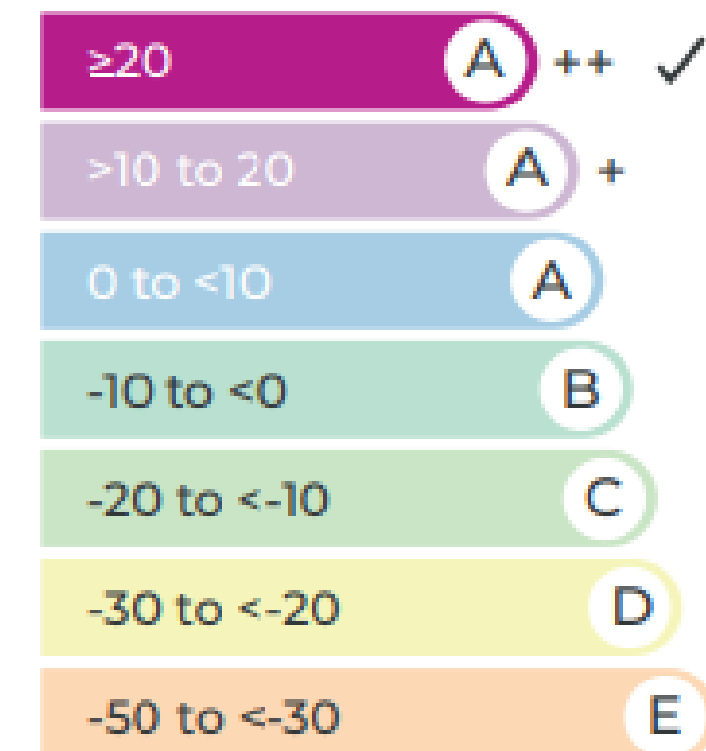
PAS24: Passed**

BFRC Rating
kWh/(m²yr)



Double glazing

BFRC Rating
kWh/(m²yr)



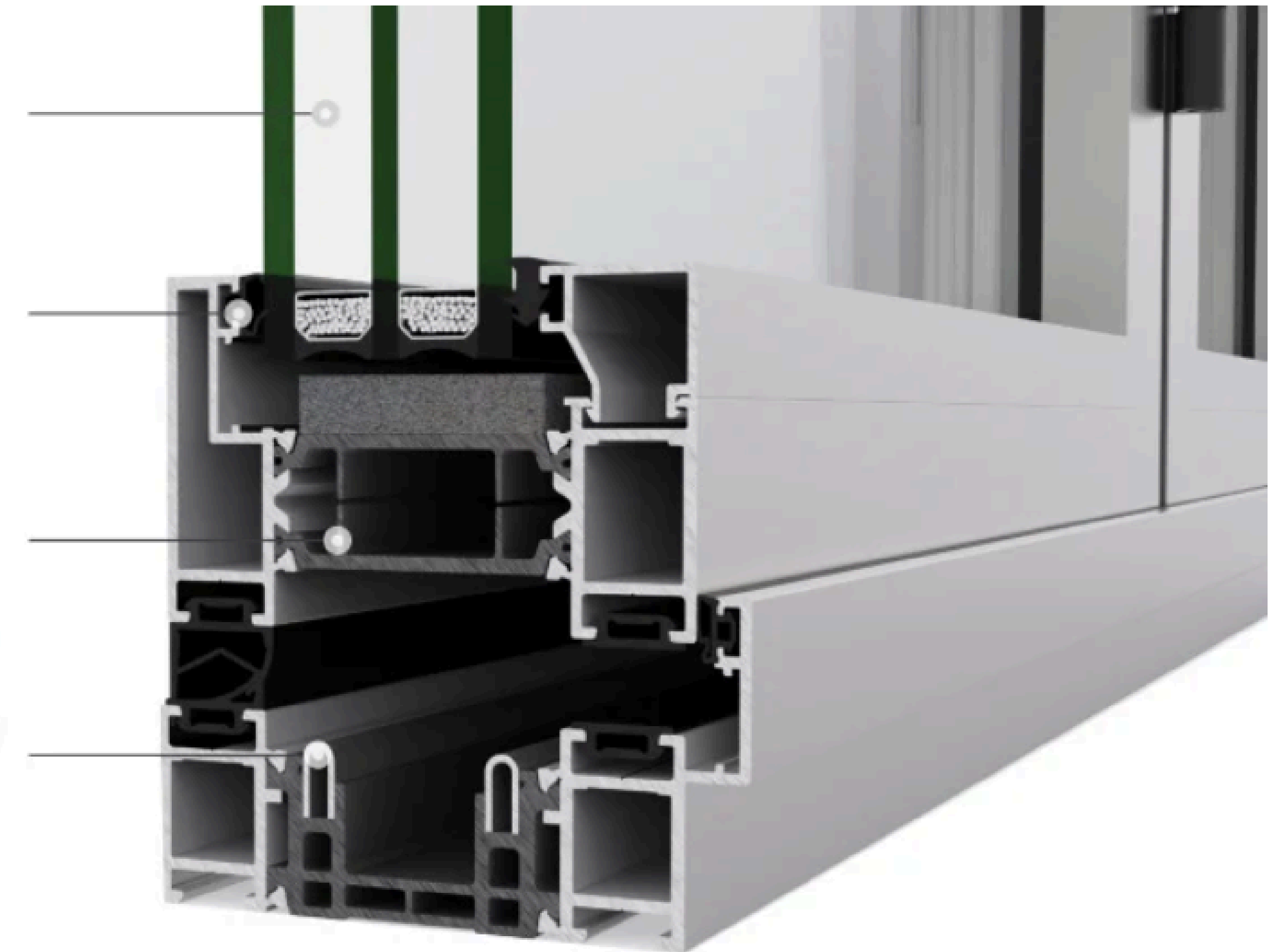
Triple glazing

48 mm
glazing capacity

Faster manufacturing
Possibility of providing
preassembled gaskets

45 mm
thermal bridge
breakage

Double bearing
system with a
gimbal stabiliser



* Double glazing Ug=1.0 / Triple glazing Ug=0.5

**Security test: 3 sashes reference test. Configuration 321 2.70 x 2.50 m AWW TEST. Resistance to repeated openings and closings: EN 1191, 3 sashes reference test. Configuration 321 3.73 x 2.50 m

Cortizo Bifold Plus Minimum & Maximum Sizes

Configuration	Minimum Frame Width	Maximum Frame Width	Minimum Frame Height To have a Multi Point Lock	Minimum Frame Height For PAS24 (Enhanced Security)	Maximum Frame Height
110	693mm	1293mm	1895mm	2141mm	3080mm
211	1317mm	2517mm	1895mm	2141mm	3080mm
202	1609mm	2509mm	1895mm	2141mm	3080mm
330	1918mm	3717mm	1895mm	2141mm	3080mm
321	2380mm	3729mm	1895mm	2141mm	3080mm
440	3134mm	4932mm	1895mm	2141mm	3080mm
431	2542mm	4940mm	1895mm	2141mm	3080mm
422	3149mm	4948mm	1895mm	2141mm	3080mm
550	3142mm	6141mm	1895mm	2141mm	3080mm
541	3903mm	6152mm	1895mm	2141mm	3080mm
532	3903mm	6152mm	1895mm	2141mm	3080mm
660	4658mm	7357mm	1895mm	2141mm	3080mm
651	3766mm	7364mm	1895mm	2141mm	3080mm
642	4674mm	7373mm	1895mm	2141mm	3080mm
633	4665mm	7364mm	1895mm	2141mm	3080mm

Cortizo Bifold Plus Minimum & Maximum Sizes Continued

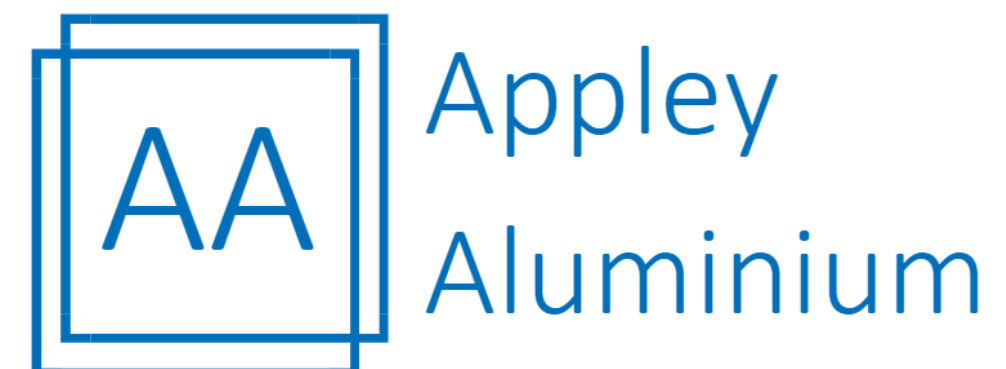
Configuration	Minimum Frame Width	Maximum Frame Width	Minimum Frame Height To have a Multi Point Lock	Minimum Frame Height For PAS24 (Enhanced Security)	Maximum Frame Height
770	4366mm	8564mm	1895mm	2141mm	3080mm
761	5427mm	8577mm	1895mm	2141mm	3080mm
752	5427mm	8577mm	1895mm	2141mm	3080mm
743	5427mm	8577mm	1895mm	2141mm	3080mm

Minimum sash width for a bifold with an even configuration is 750mm

Minimum sash width for a bifold with an odd configuration is 600mm

Maximum sizes are subject to glass weight & location of where the product is installed

All sizes exclude add-ons

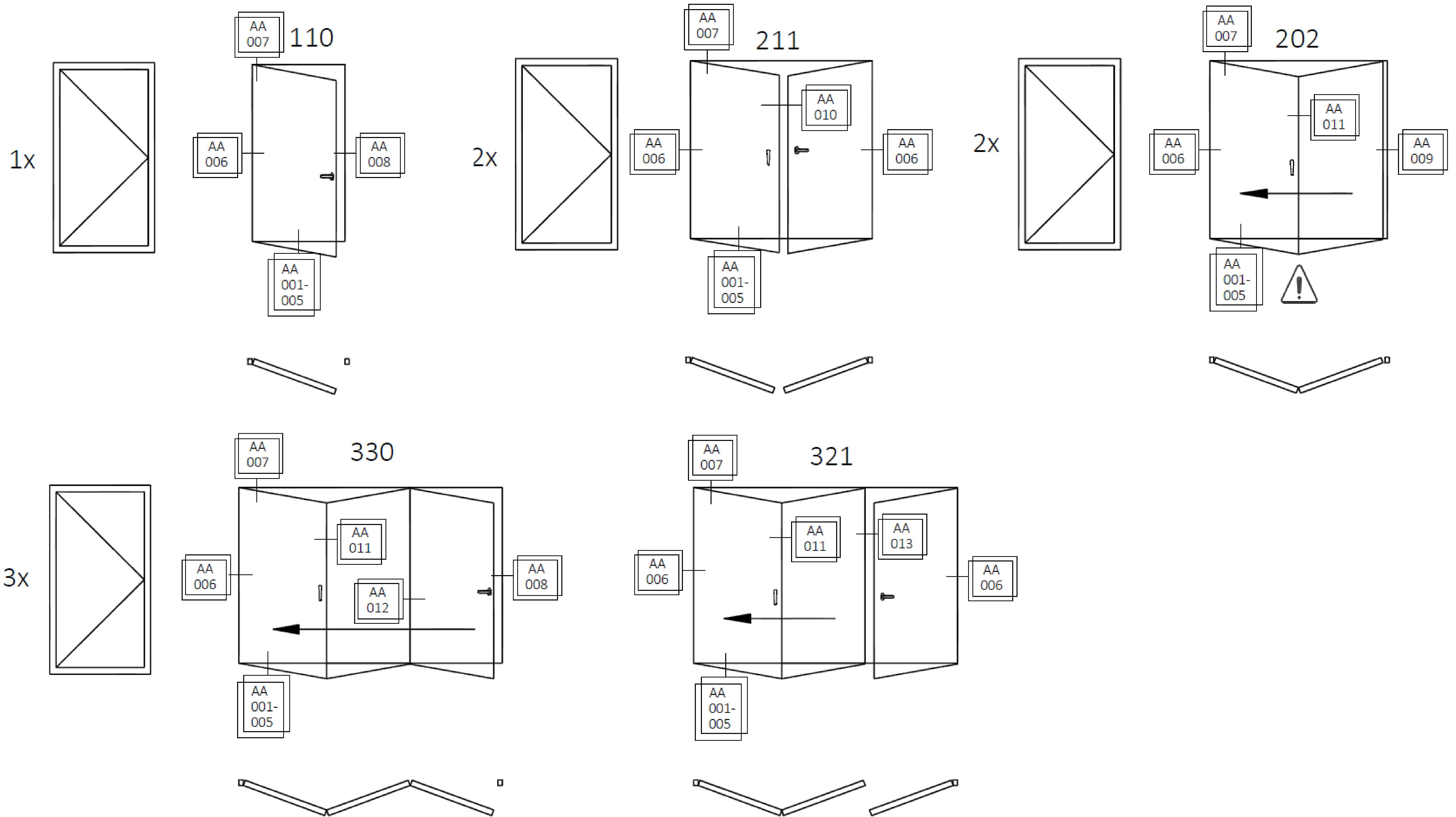


Cortizo Bifold Plus Configurations



Cortizo Bifold Plus Configurations

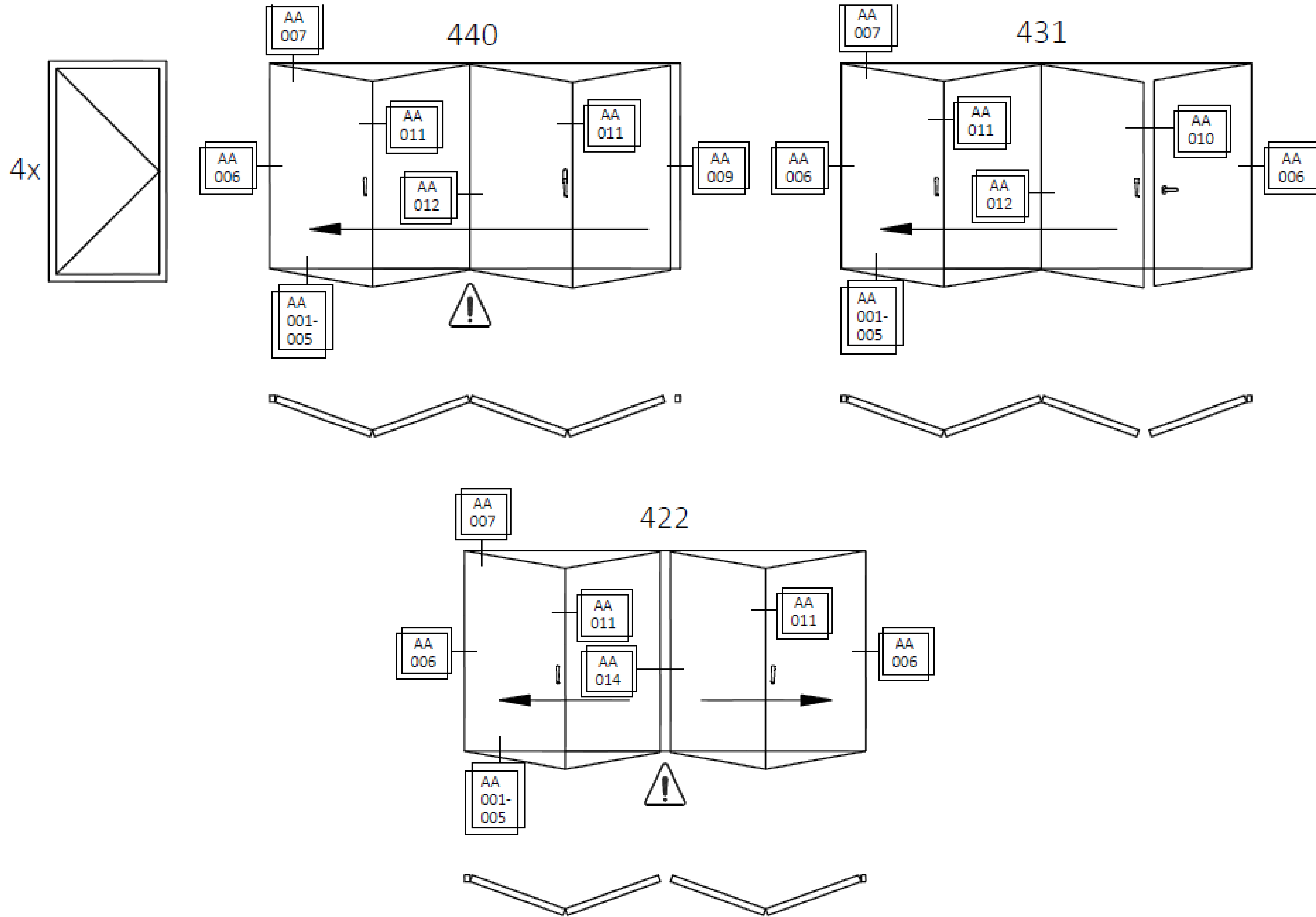
One, Two & Three Panes



⚠ = No External Access

Cortizo Bifold Plus Configurations

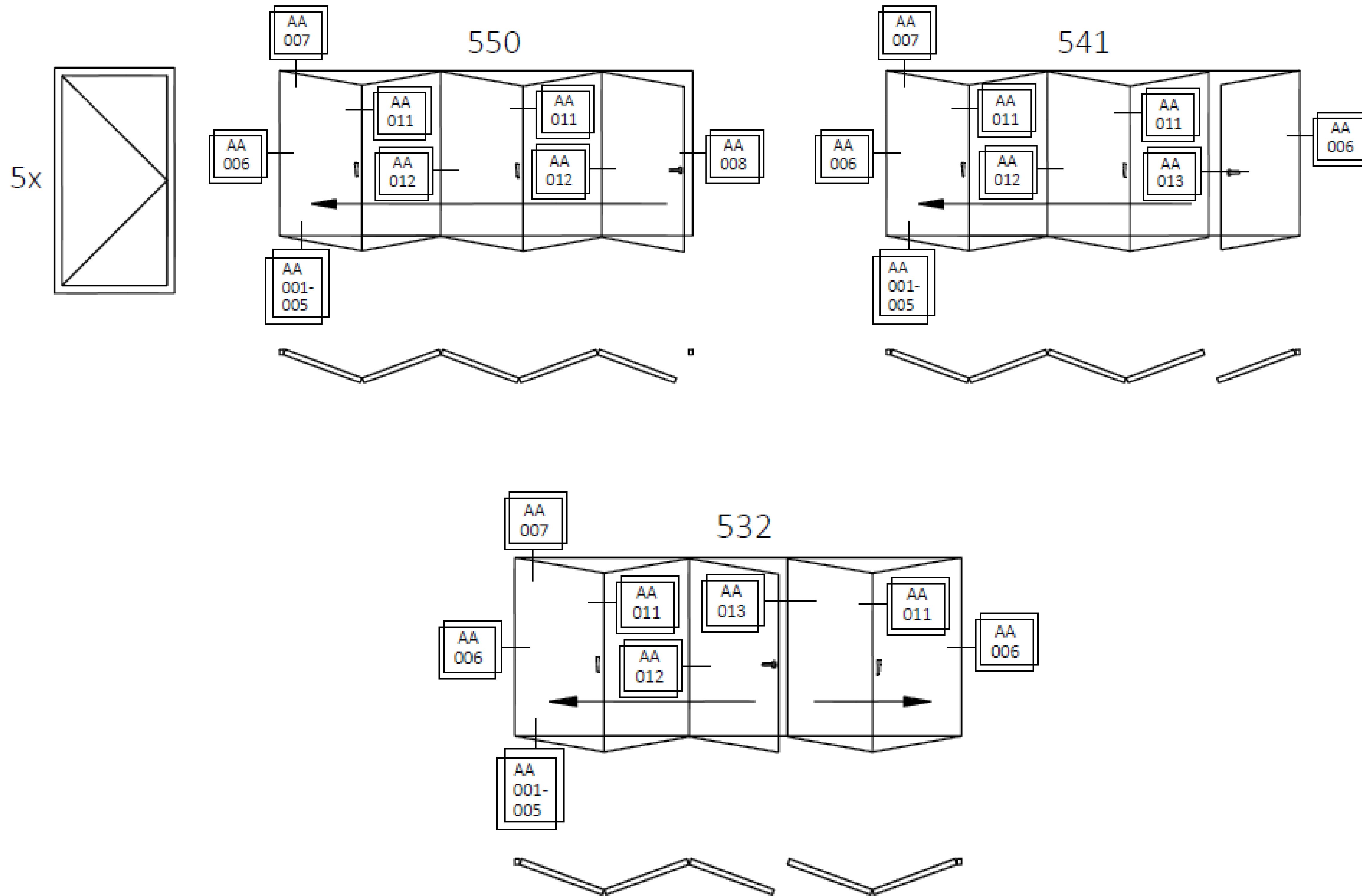
Four Panes



⚠ = No External Access

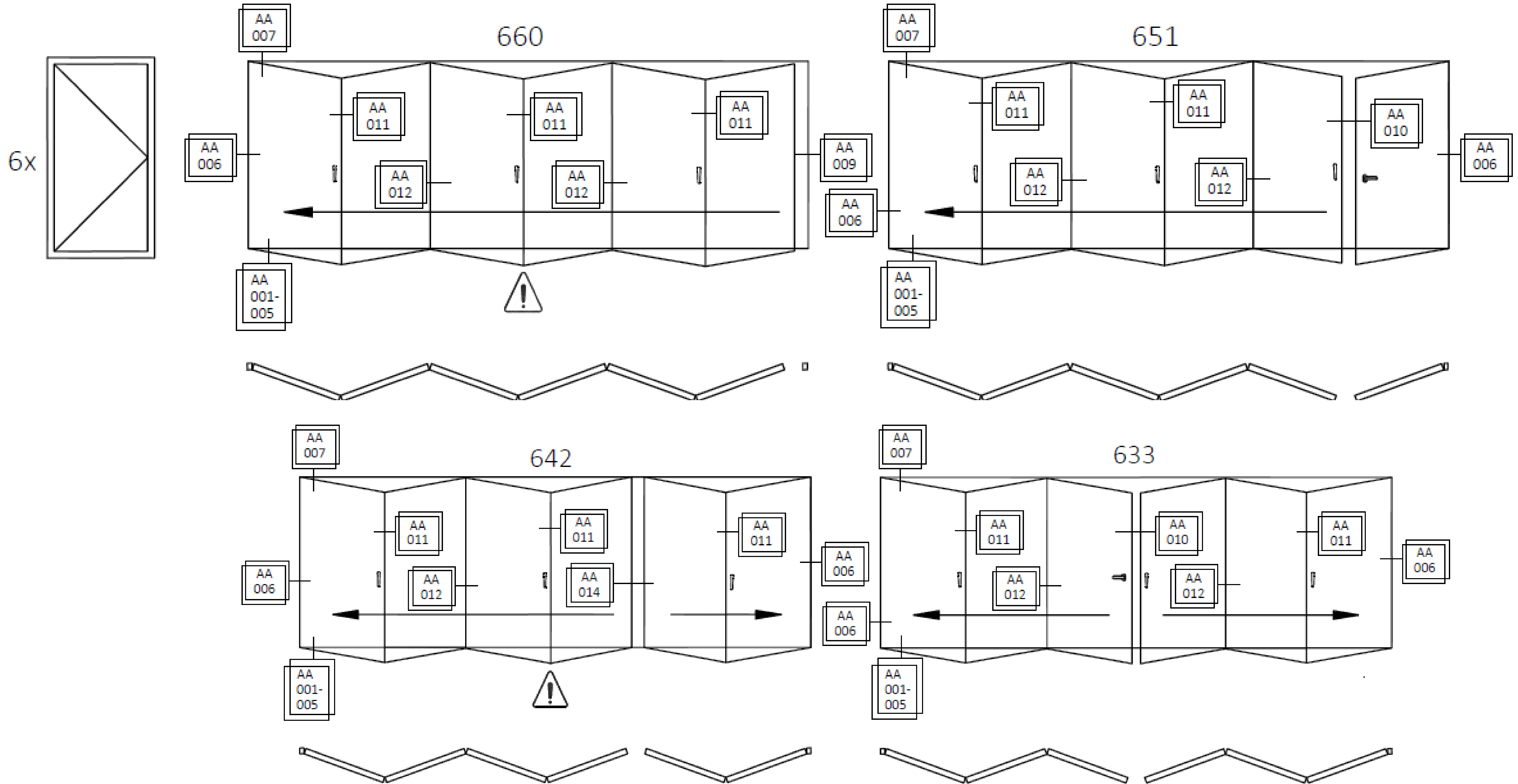
Cortizo Bifold Plus Standard Configurations

Five Panes



Cortizo Bifold Plus Standard Configurations

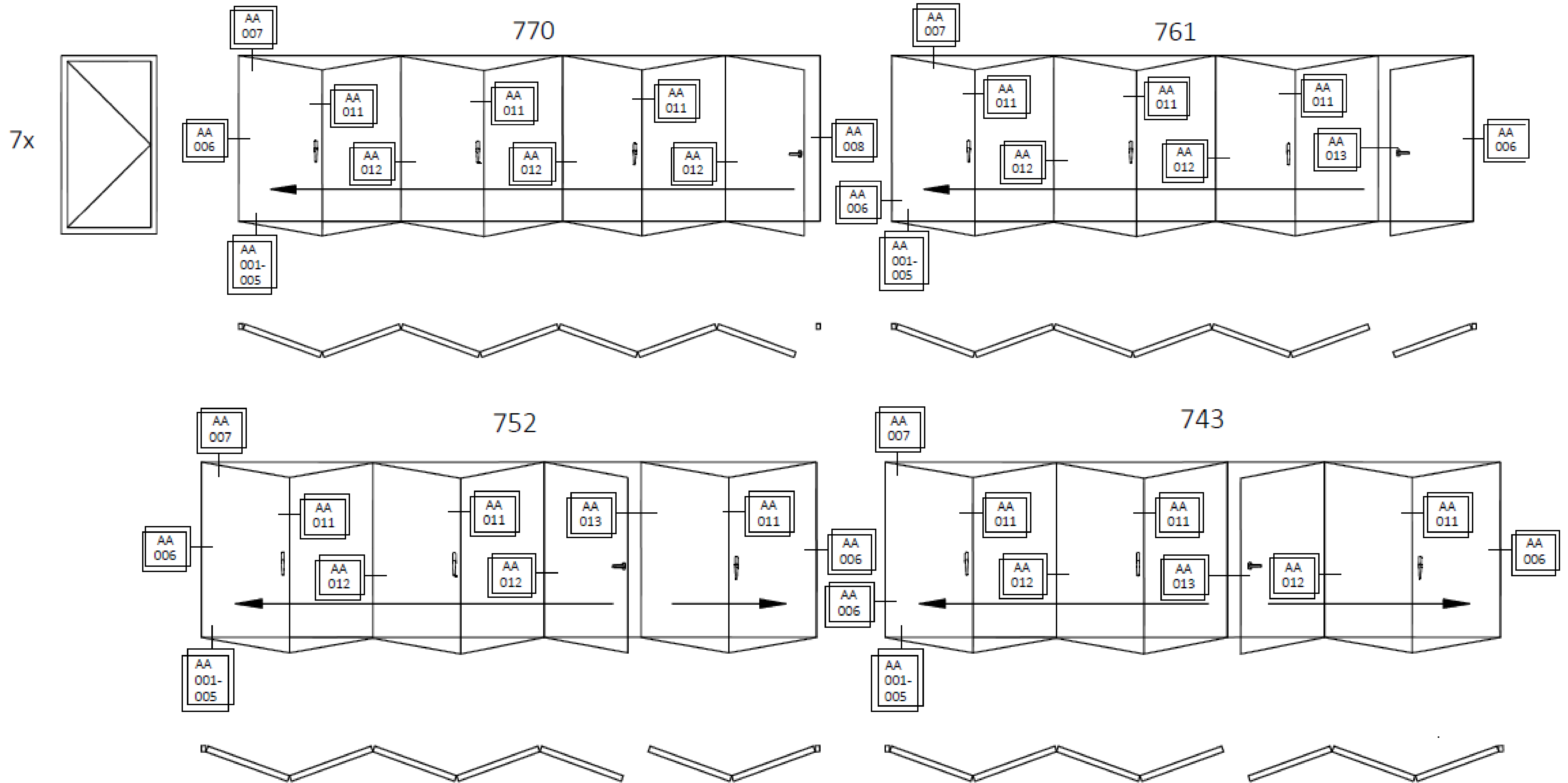
Six Panes



⚠ = No External Access

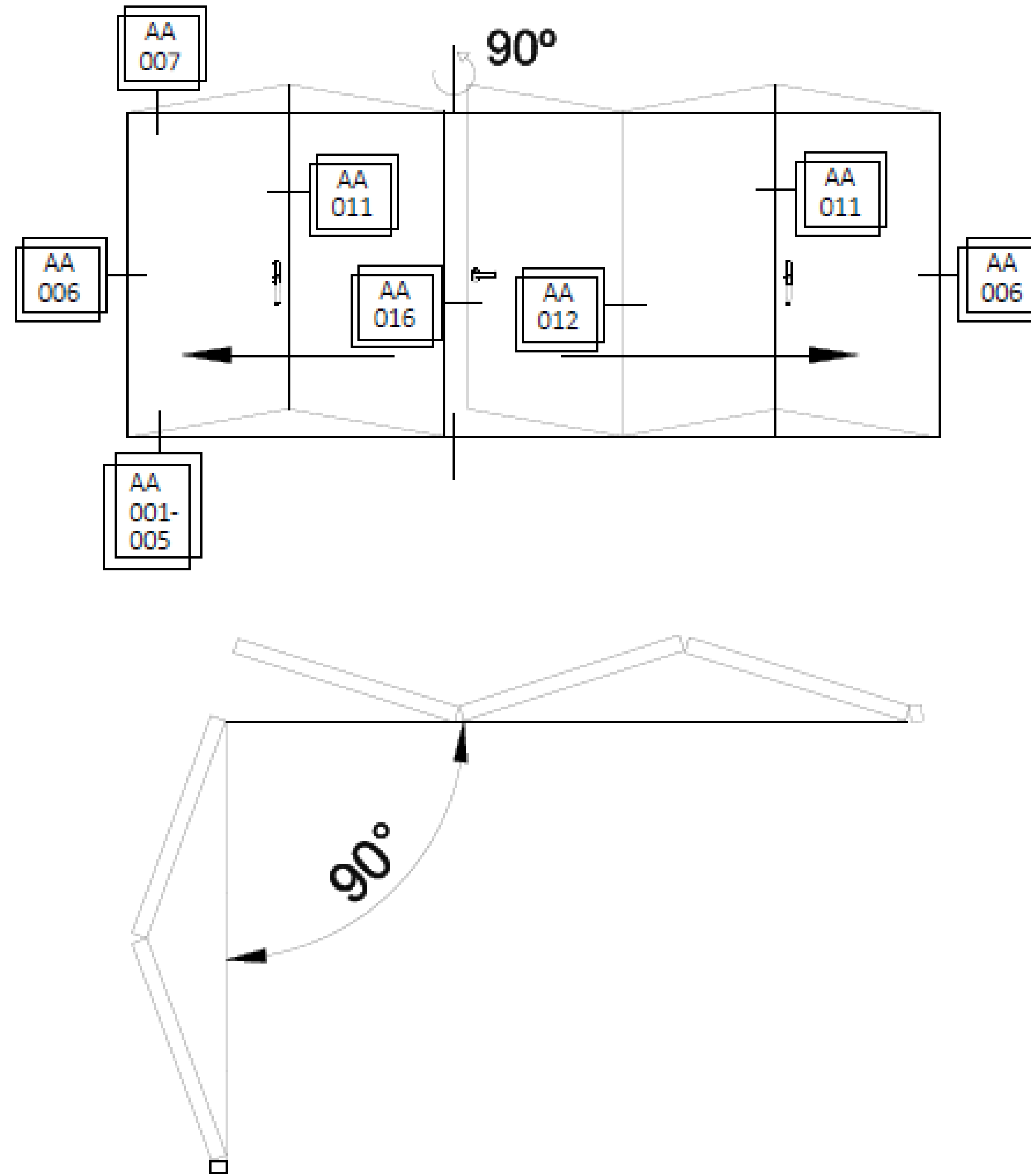
Cortizo Bifold Plus Standard Configurations

Seven Panes



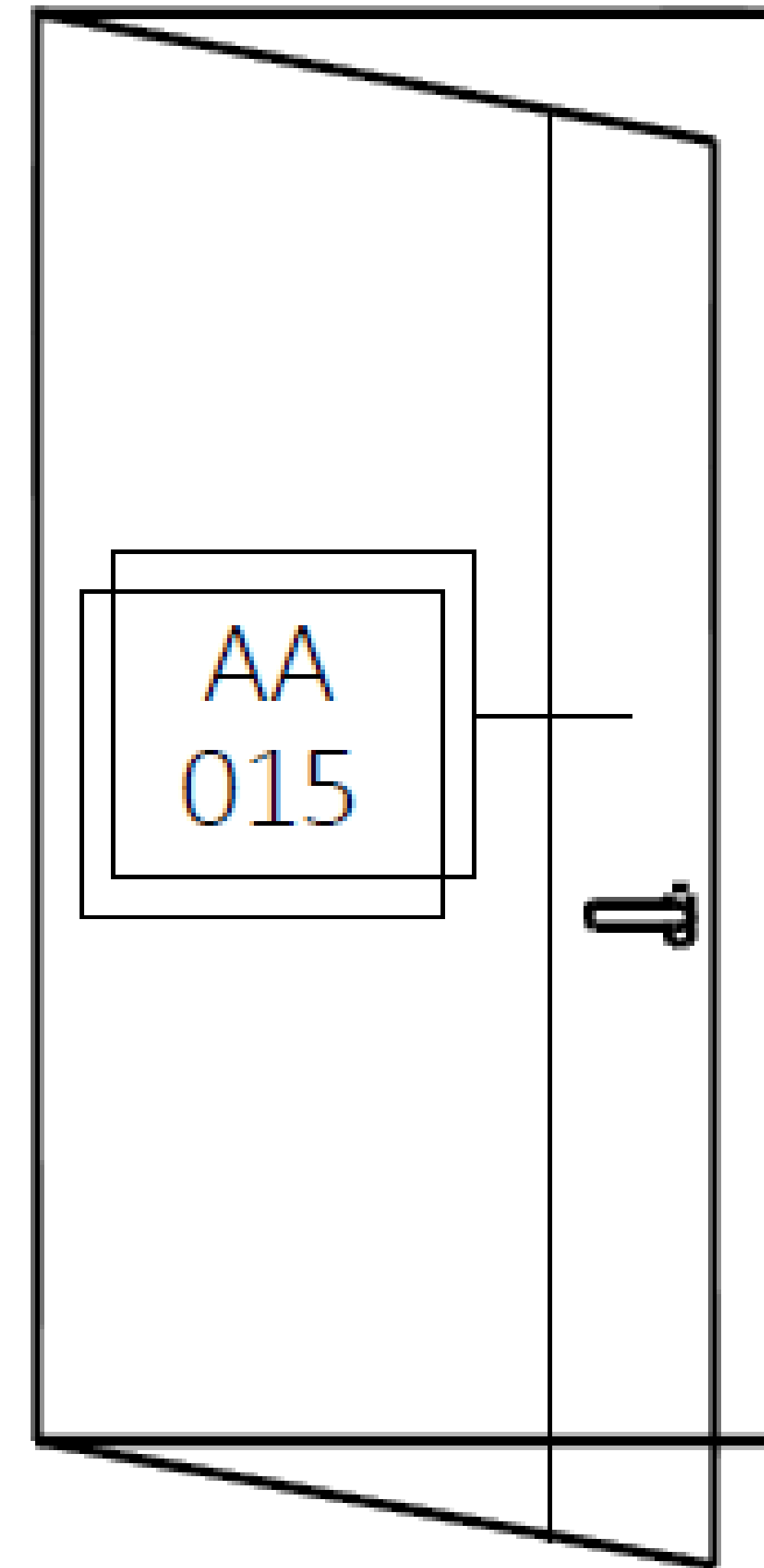
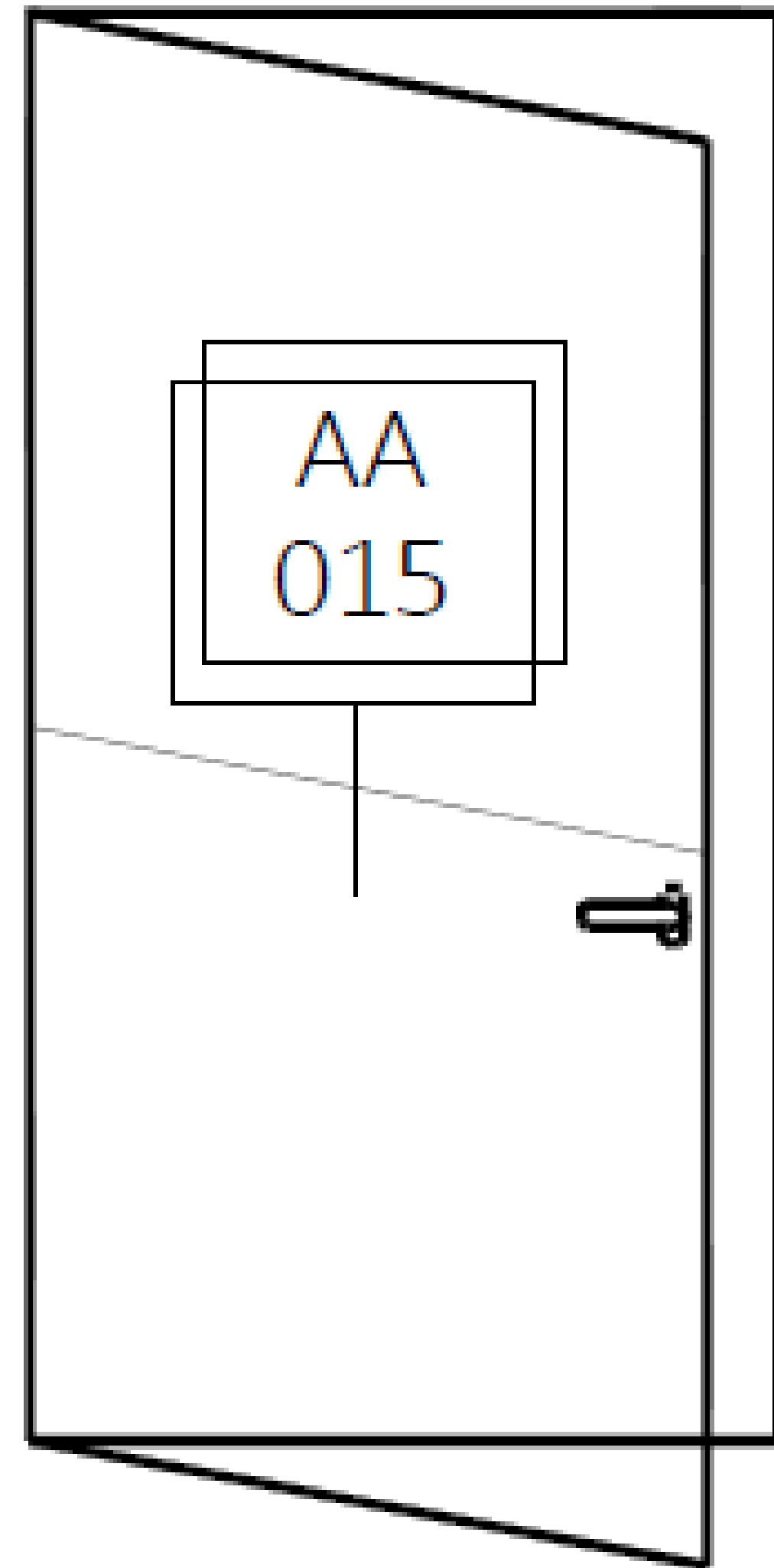
Cortizo Bifold Plus Standard Configurations

Floating Corner



Cortizo Bifold Plus Standard Configurations

Mullion & Transom



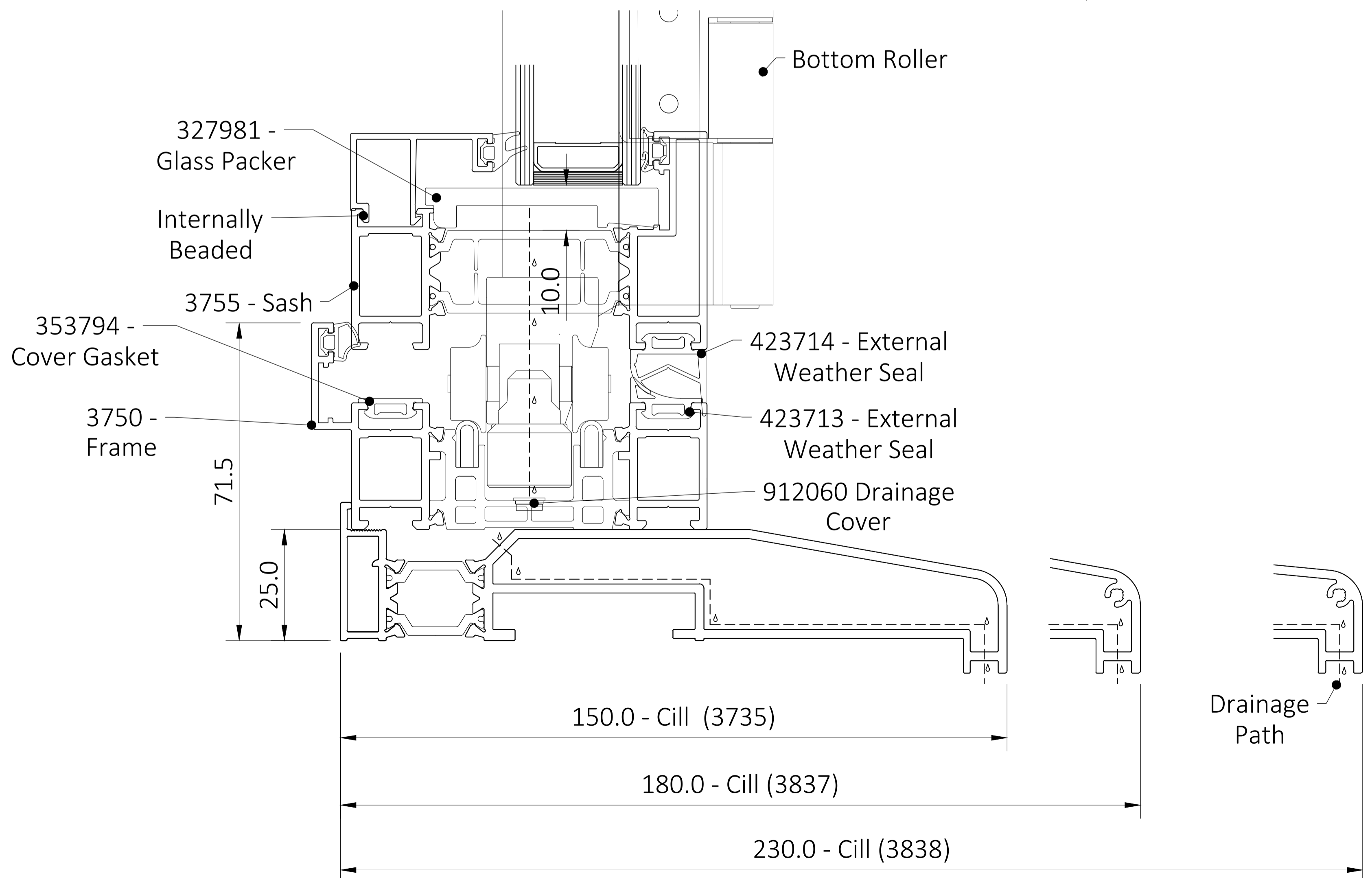
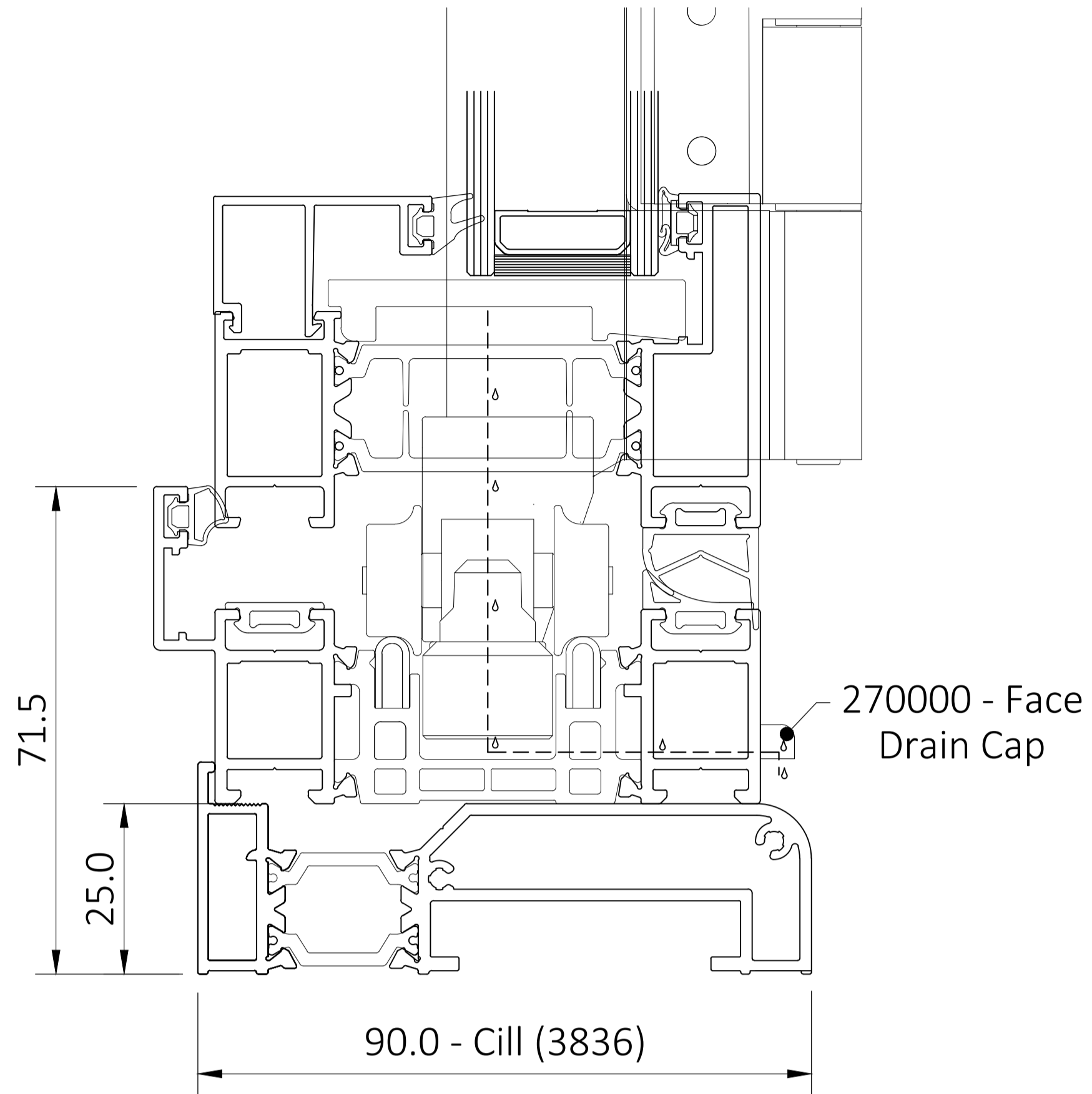
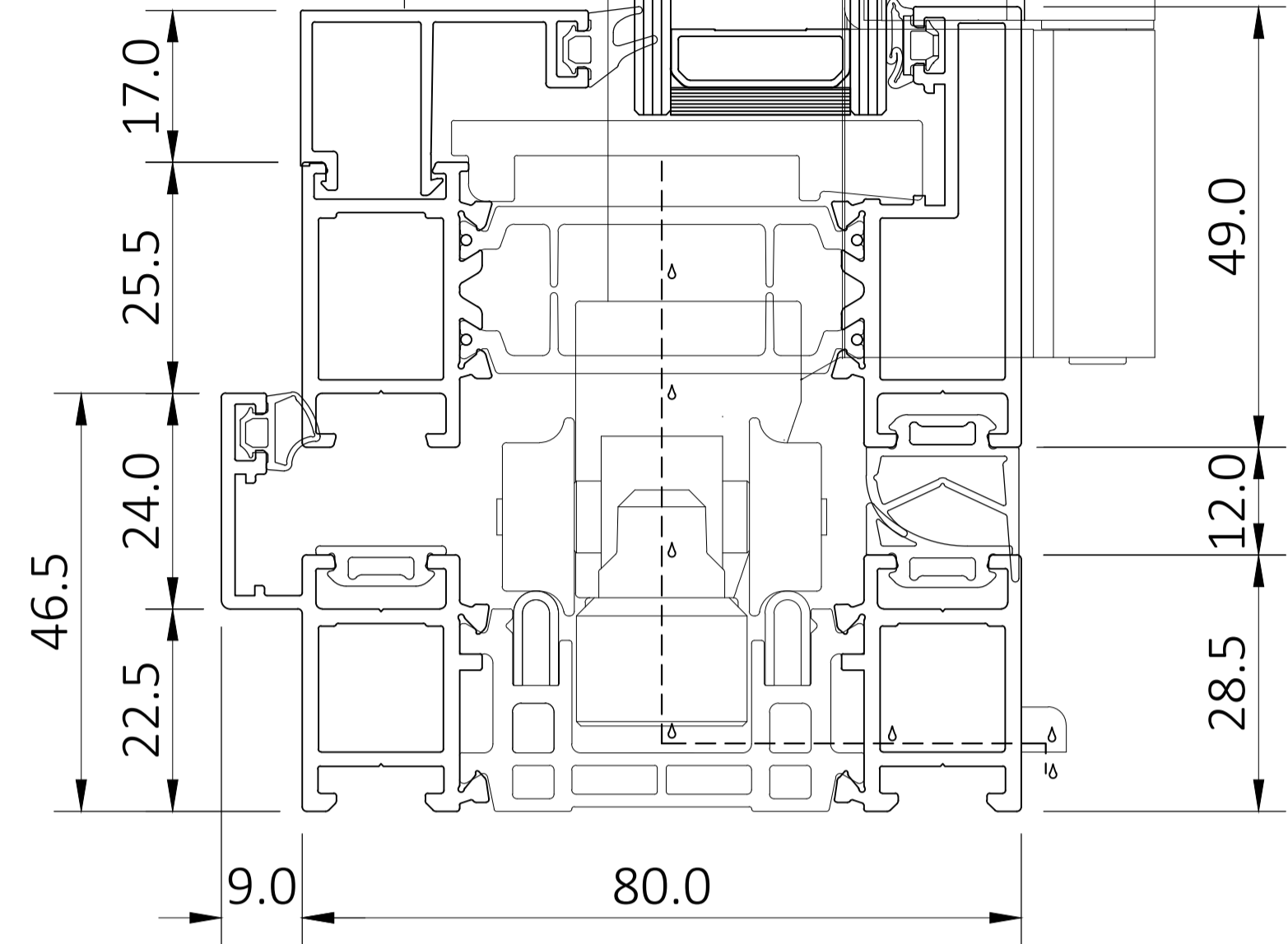
Cortizo Bifold Plus Details



Appley

Aluminium

AA
001



Notes

Do Not Scale Off This drawing.
If In Doubt Ask.

Revisions:	
REV.	DATE:
REV.	DATE:
REV.	DATE:
REV.	DATE:

Appley Aluminium Limited
Suite 5B
Blackthorn House
Skull House Lane
Appley Bridge
WN6 7DB

© This drawing is the property of Appley Aluminium Limited. It is a confidential document and must not be copied, used or its contents divulged without prior consent.

JOB TITLE:
Cortizo Bifold Plus

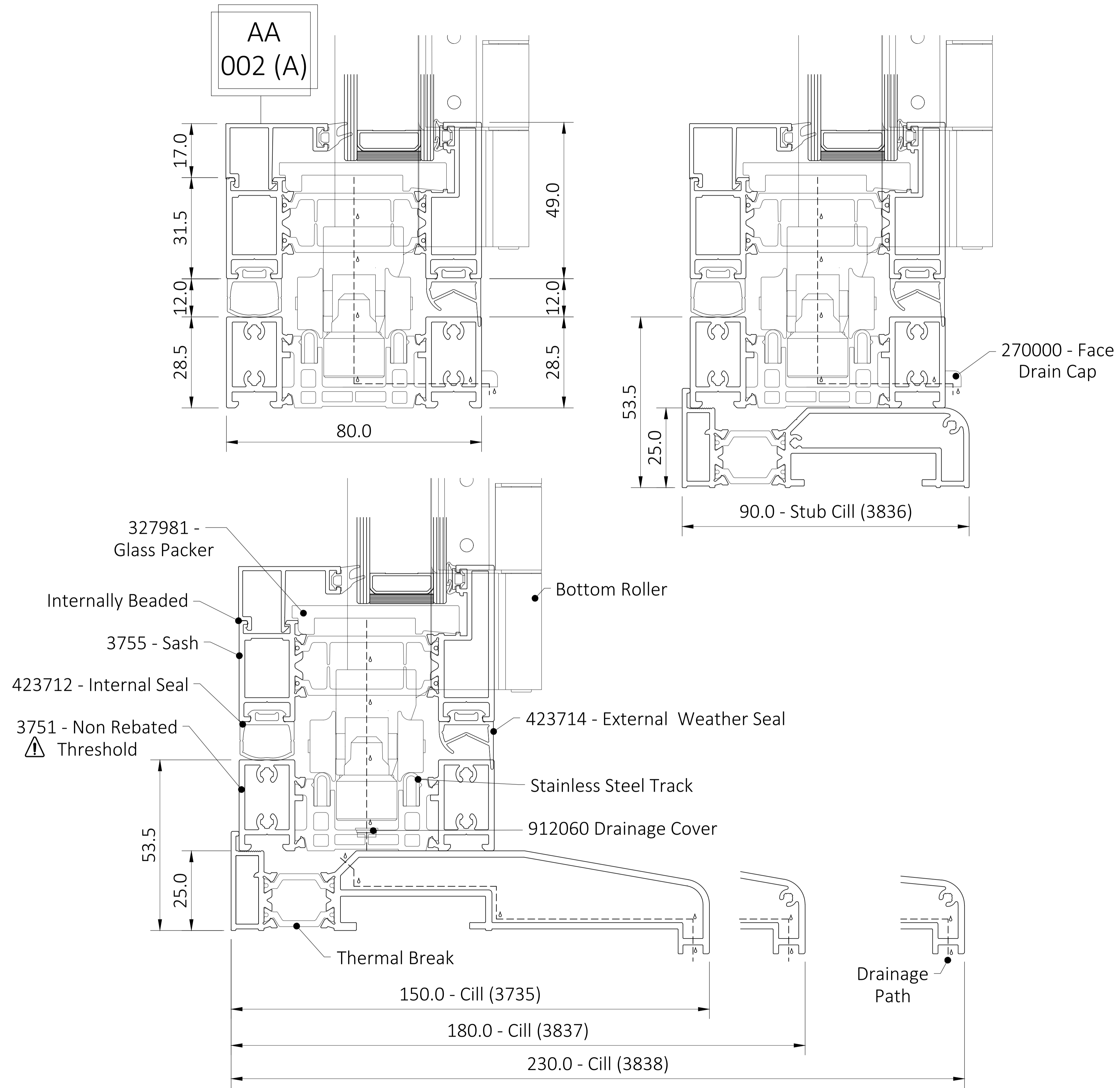
CLIENT:
Appley Aluminium

DRAWING TITLE:
Rebated Threshold Detail

SCALE: N.T.S	DRAWN BY: JM	DATE: 01.08.24
SHEET A1	CHECKED BY: XX	DATE: dd/mm/yy

DRAWING No: Bifold Plus - AA - 001	REV. A
---------------------------------------	-----------

STATUS:
XXXXX



Notes

Do Not Scale Off This drawing.

If In Doubt Ask.

⚠ 3751 Threshold Is Not Weather Rated & Should Not Be Used In Exposed Areas.

Revisions:

REV.	DATE:

Appley Aluminium Limited
 Suite 5B
 Blackthorn House
 Skull House Lane
 Appley Bridge
 WN6 7DB

© This drawing is the property of Appley Aluminium Limited. It is a confidential document and must not be copied, used or its contents divulged without prior consent.

JOB TITLE:
Cortizo Bifold Plus

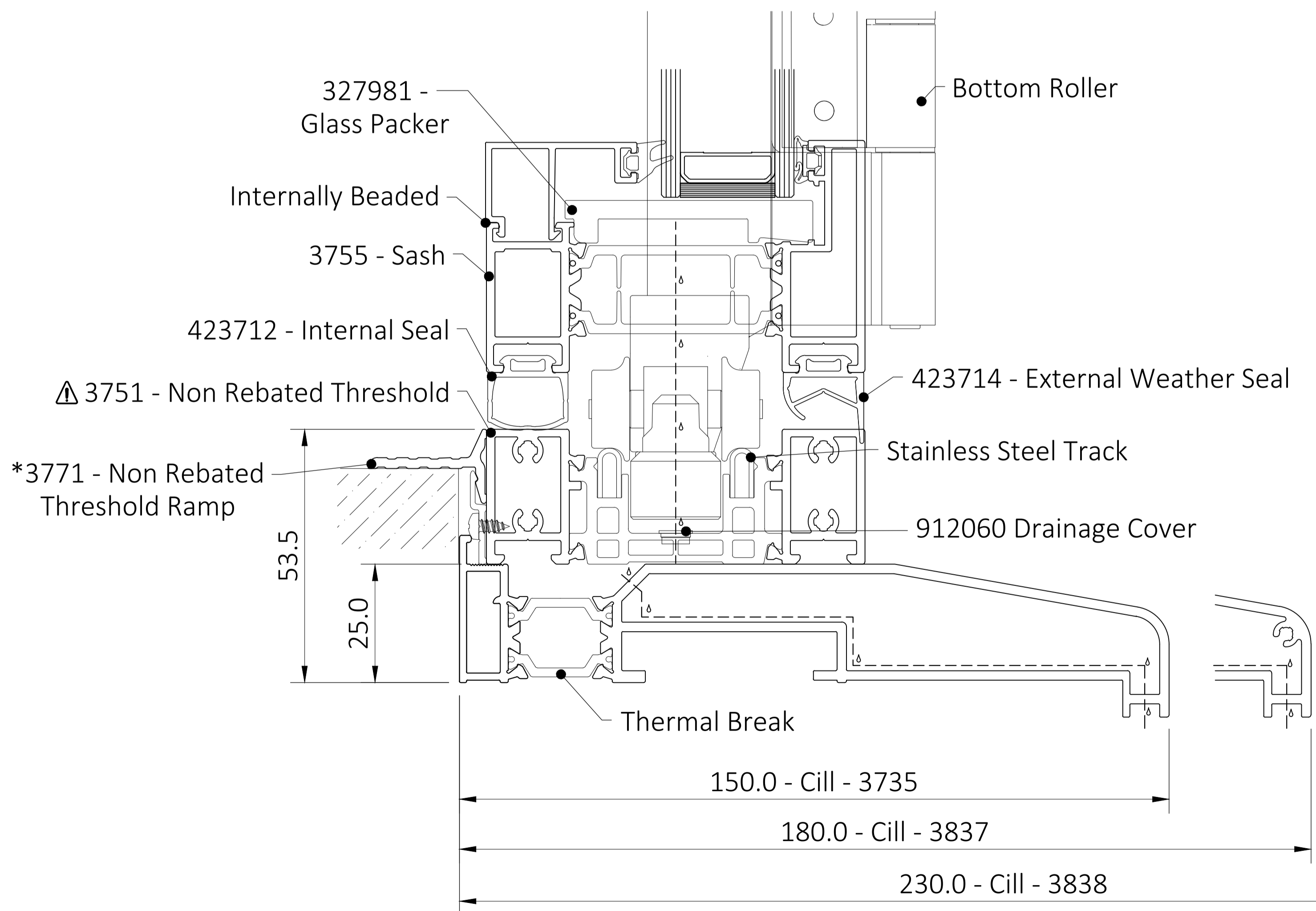
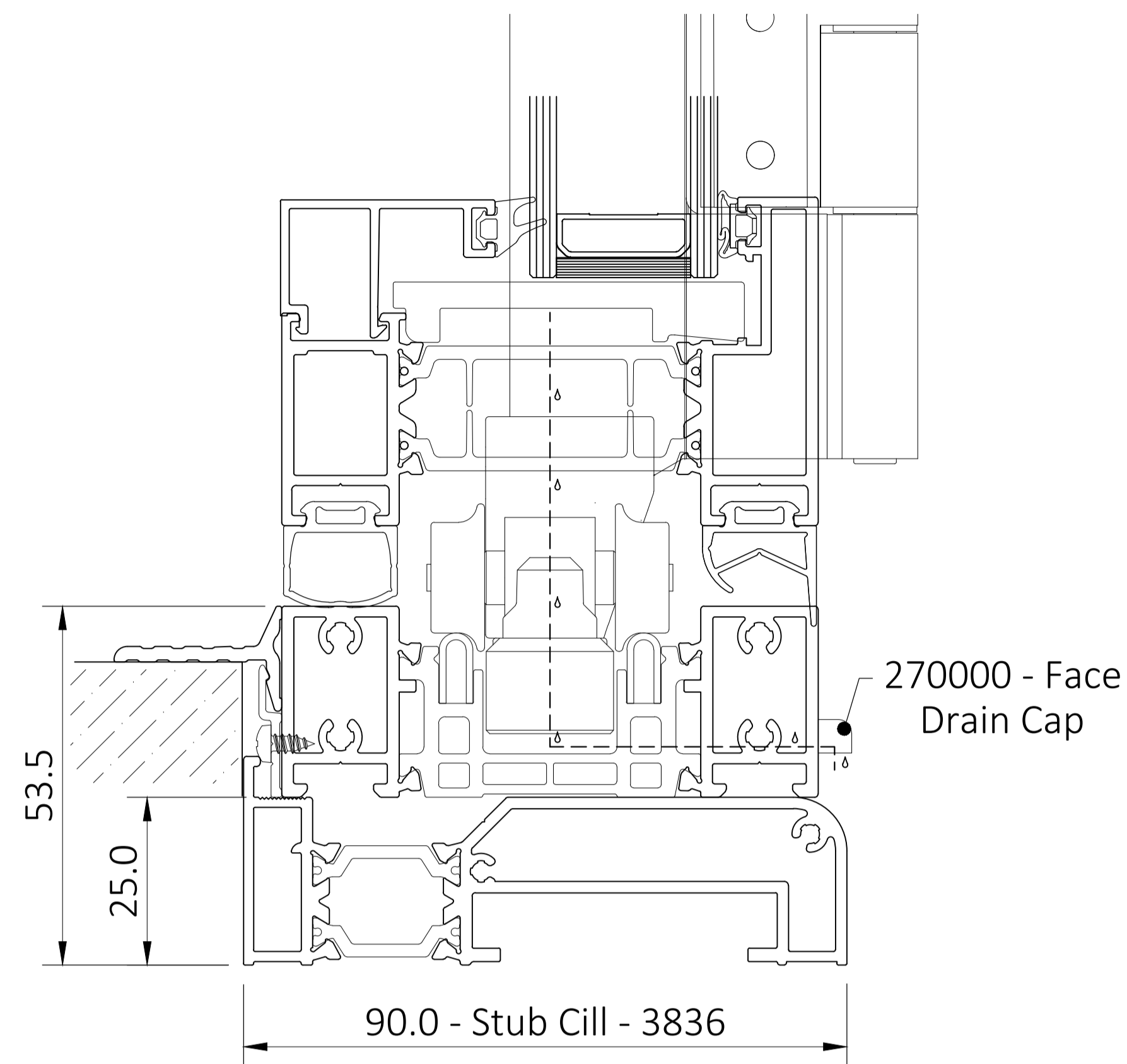
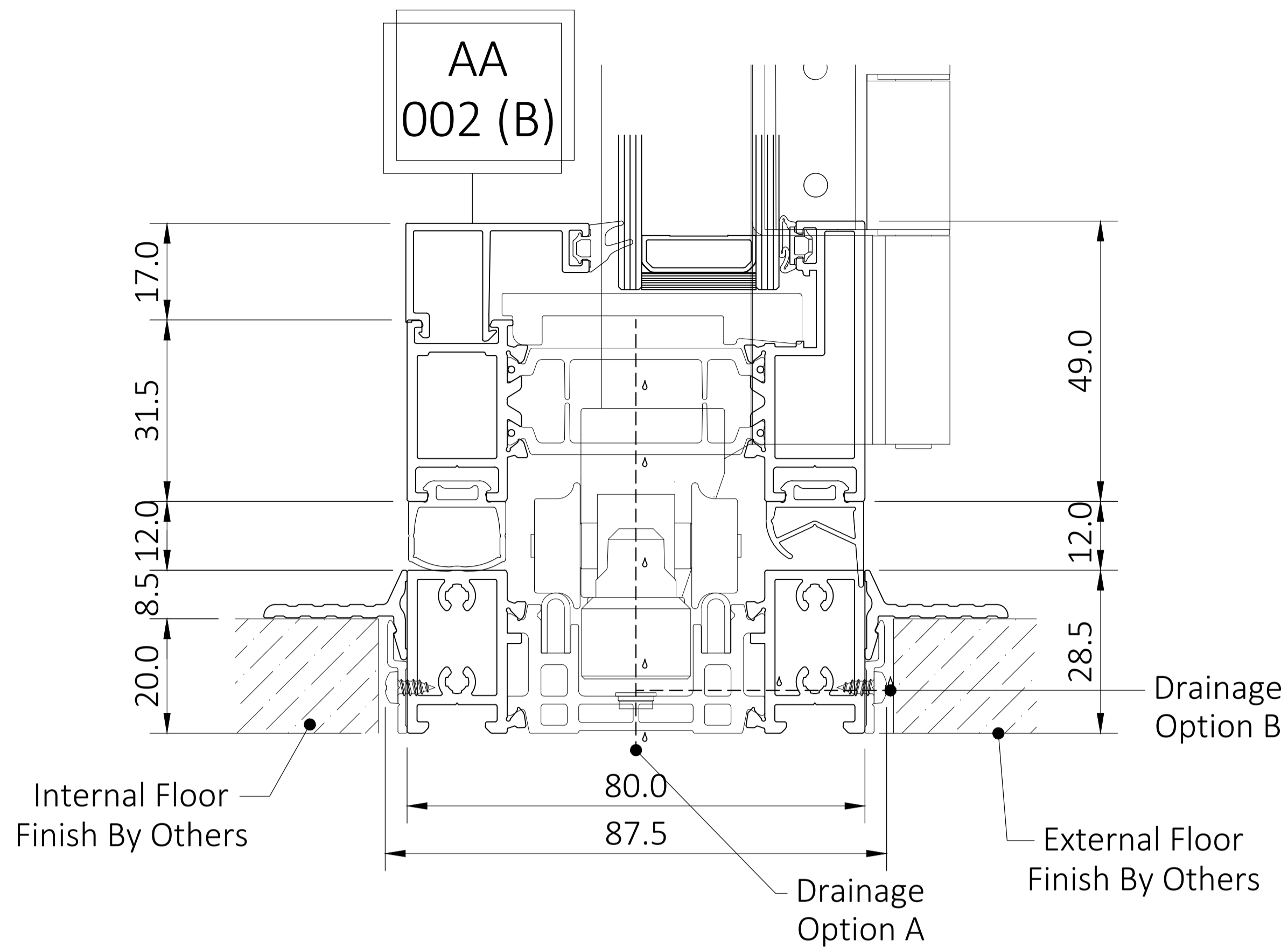
CLIENT:
Appley Aluminium

DRAWING TITLE:
Non Rebated Thres Exc Ramps

SCALE: N.T.S	DRAWN BY: JM	DATE: 01.08.24
SHEET A1	CHECKED BY: XX	DATE: dd/mm/yy

DRAWING No: Bifold Plus - AA - 002 (A)	REV. A
---	-----------

STATUS:
XXXXX



Notes

Do Not Scale Off This drawing.

If In Doubt Ask.

⚠ 3751 Threshold Is Not Weather Rated & Should Not Be Used In Exposed Areas.

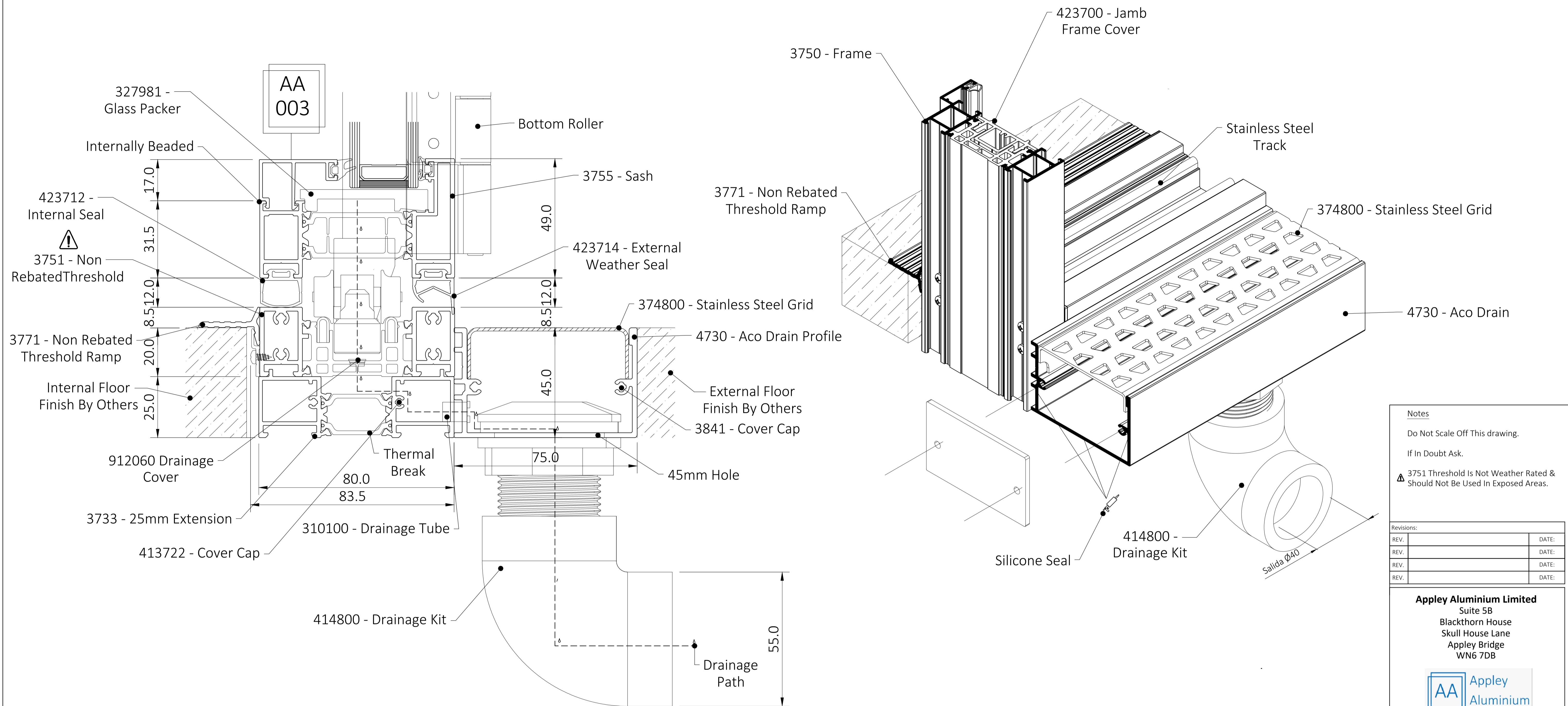
* 3771 Ramp Can Be Placed To One Face Or Both

Revisions:	
REV.	DATE:
REV.	DATE:
REV.	DATE:
REV.	DATE:

Appley Aluminium Limited
Suite 5B
Blackthorn House
Skull House Lane
Appley Bridge
WN6 7DB

© This drawing is the property of Appley Aluminium Limited. It is a confidential document and must not be copied, used or its contents divulged without prior consent.

JOB TITLE:		
Cortizo Bifold Plus		
CLIENT:		
Appley Aluminium		
DRAWING TITLE:		
Non Rebated Thres With Ramps		
SCALE:	DRAWN BY:	DATE:
N.T.S	JM	01.08.24
SHEET:	CHECKED BY:	DATE:
A1	XX	dd/mm/yy
DRAWING No.:	REV.	
Bifold Plus - AA - 002 (B)	A	
STATUS:		
XXXXX		



Notes

Do Not Scale Off This drawing.

If In Doubt Ask.

⚠ 3751 Threshold Is Not Weather Rated & Should Not Be Used In Exposed Areas.

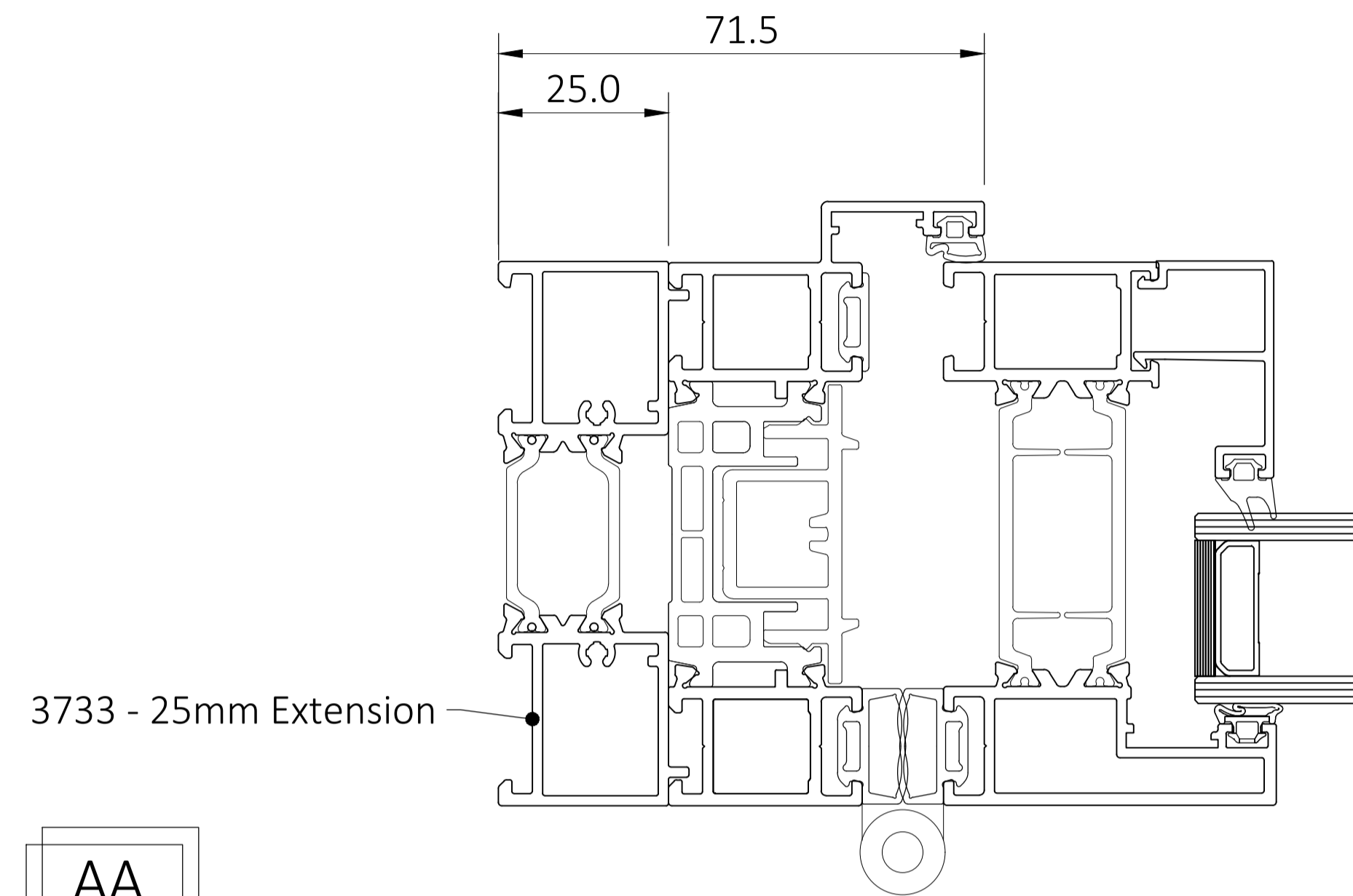
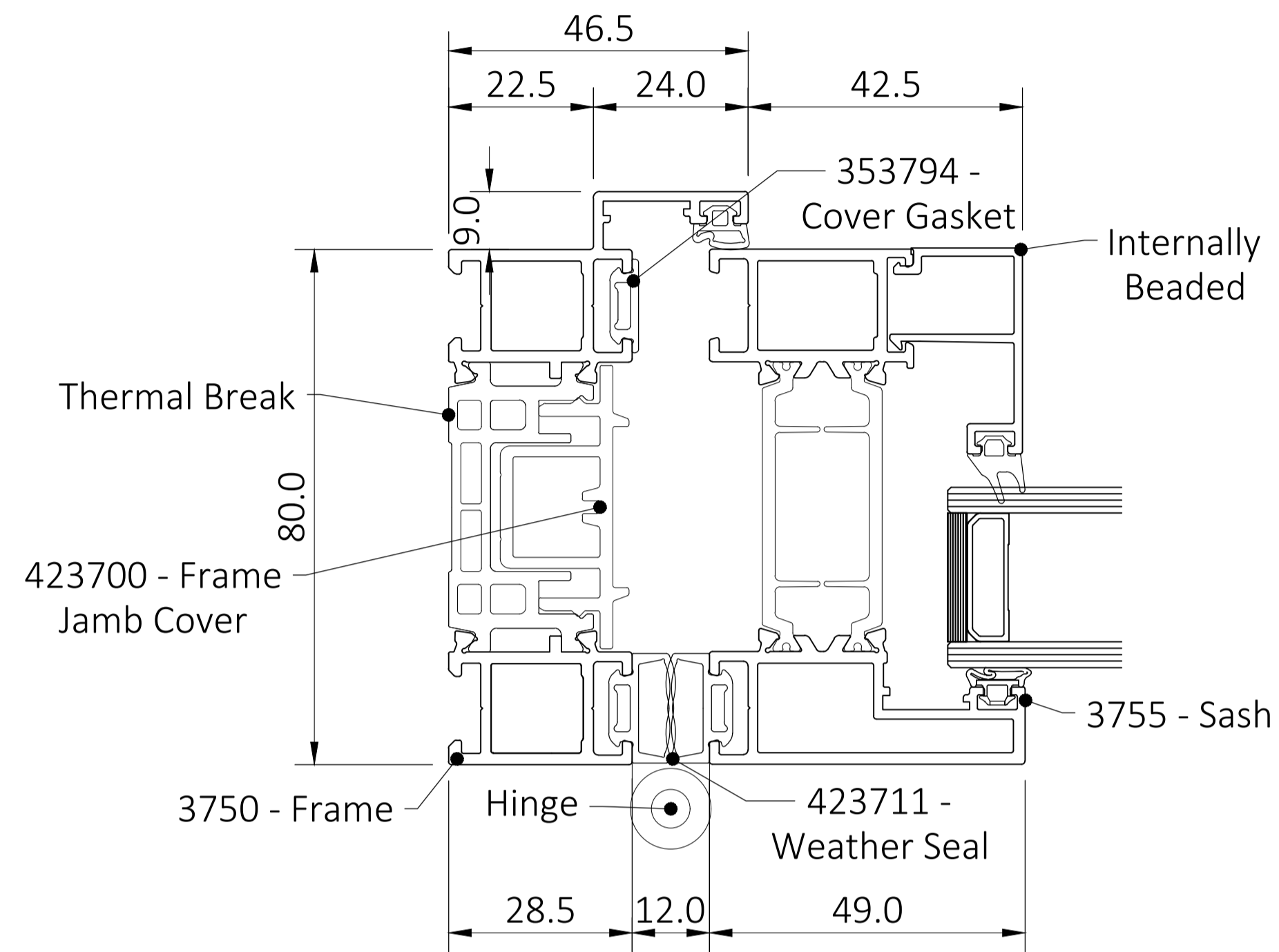
Revisions:	
REV.	DATE:
REV.	DATE:
REV.	DATE:
REV.	DATE:

Appley Aluminium Limited
 Suite 5B
 Blackthorn House
 Skull House Lane
 Appley Bridge
 WN6 7DB

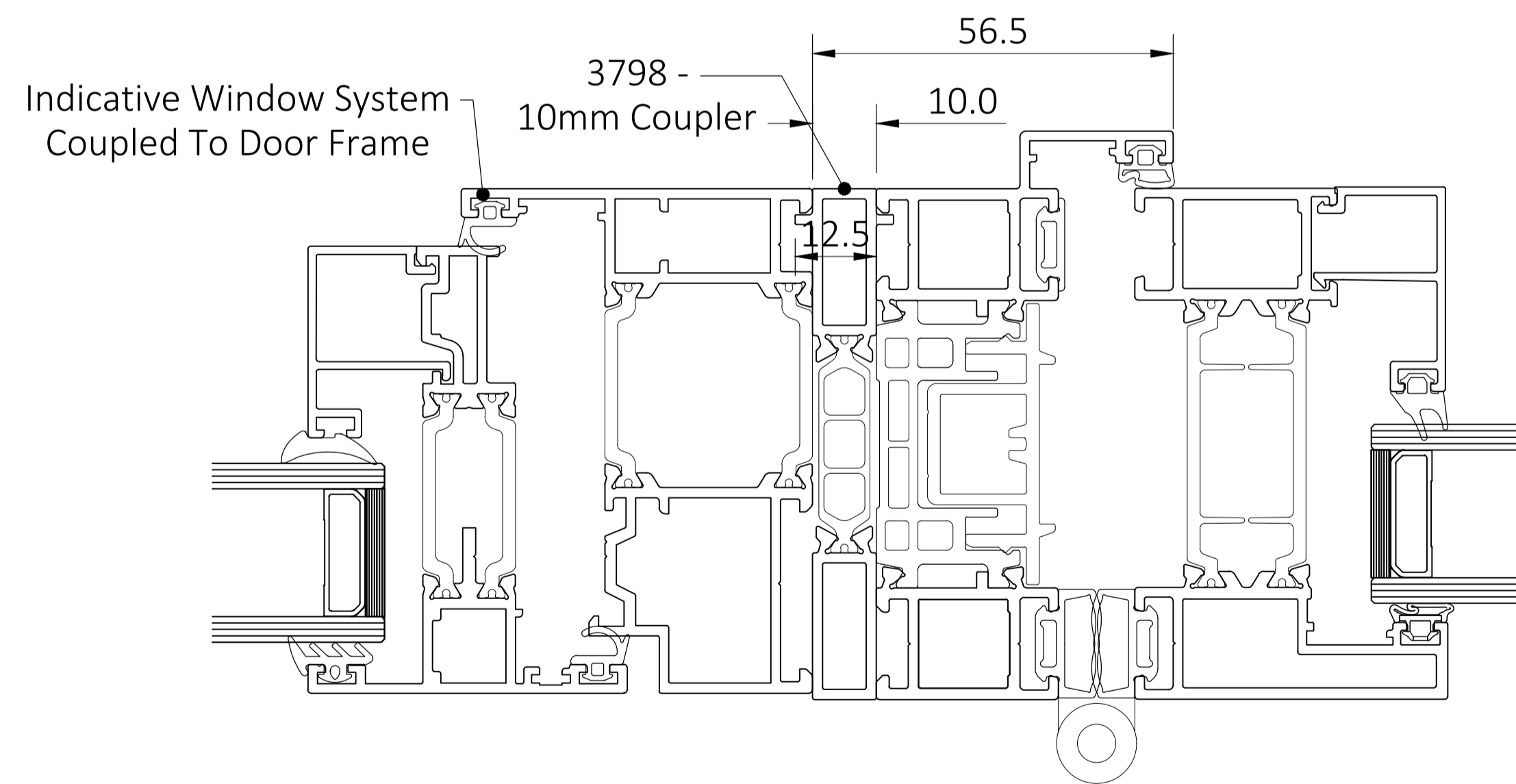
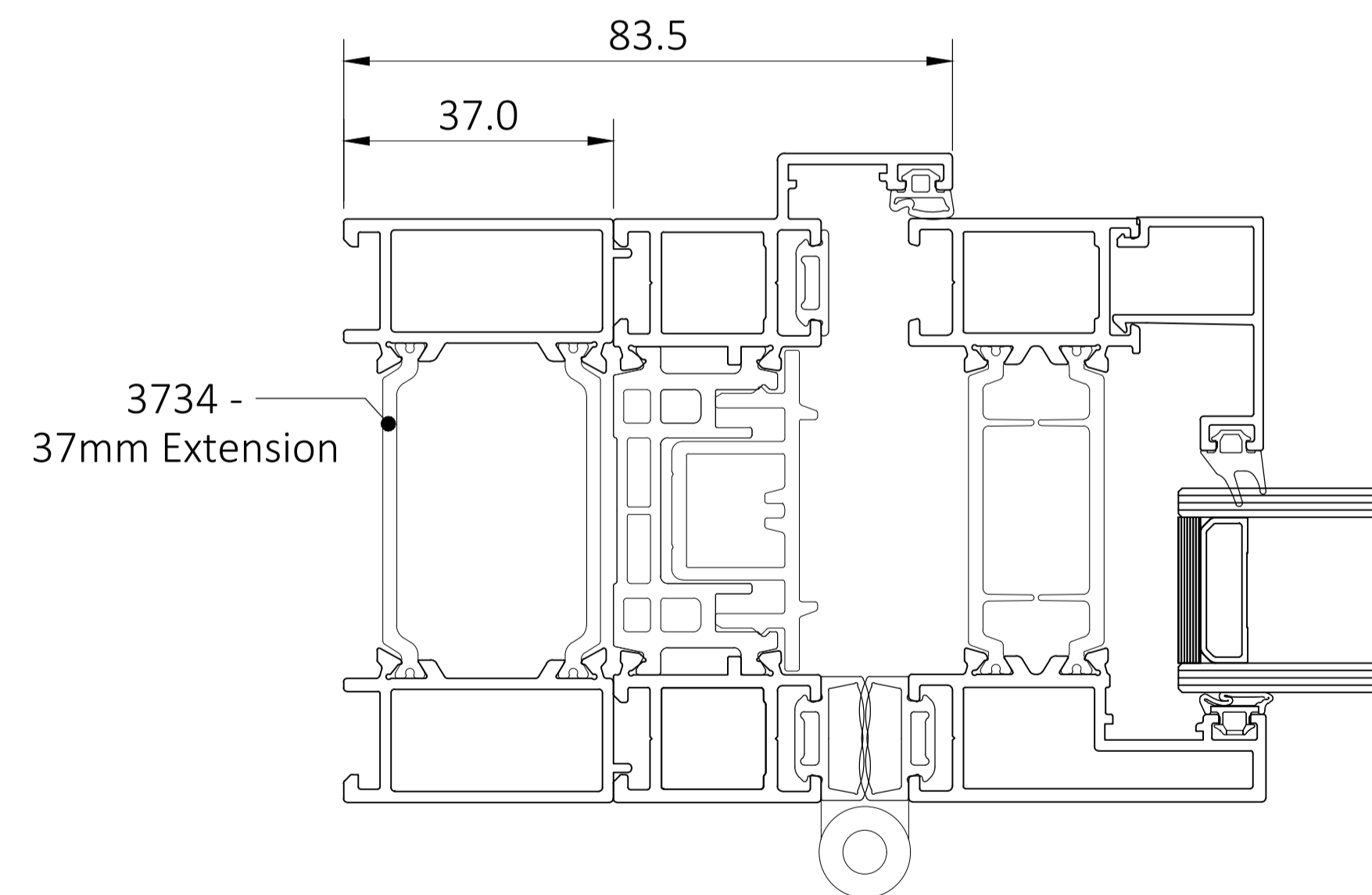
Appley Aluminium

© This drawing is the property of Appley Aluminium Limited. It is a confidential document and must not be copied, used or its contents divulged without prior consent.

JOB TITLE: Cortizo Bifold Plus	
CLIENT: Appley Aluminium	
DRAWING TITLE: Aco Drain Detail	
SCALE: N.T.S	DRAWN BY: JM
DATE: 01.08.24	
SHEET A1	CHECKED BY: XX
DATE: dd/mm/yy	
DRAWING No: Bifold Plus - AA - 003	REV. A
STATUS: XXXXX	



AA
006



Notes
Do Not Scale Off This drawing.
If In Doubt Ask.

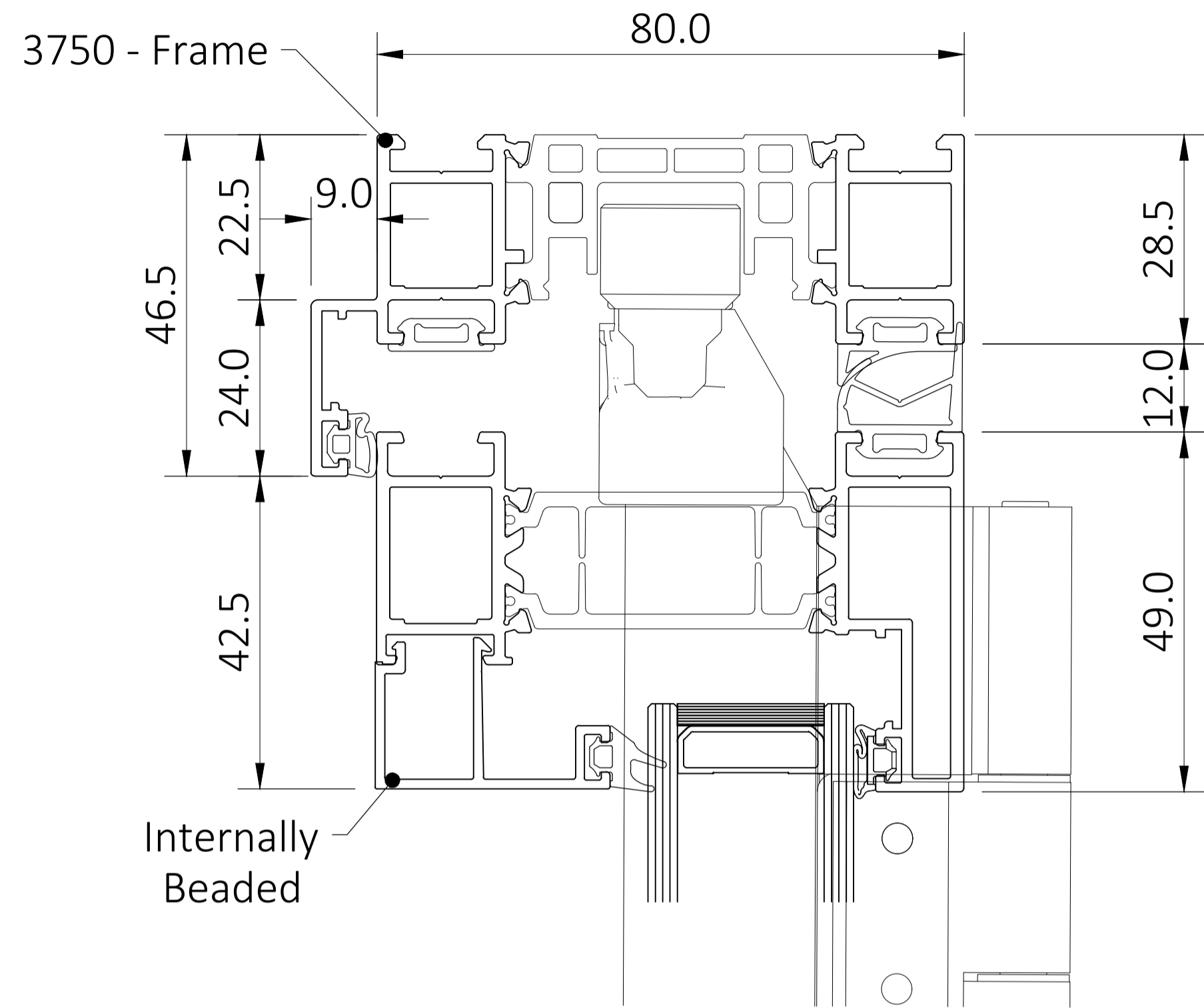
Revisions:		
REV.		DATE:
REV.		DATE:
REV.		DATE:
REV.		DATE:

Appley Aluminium Limited
Suite 5B
Blackthorn House
Skull House Lane
Appley Bridge
WN6 7DB

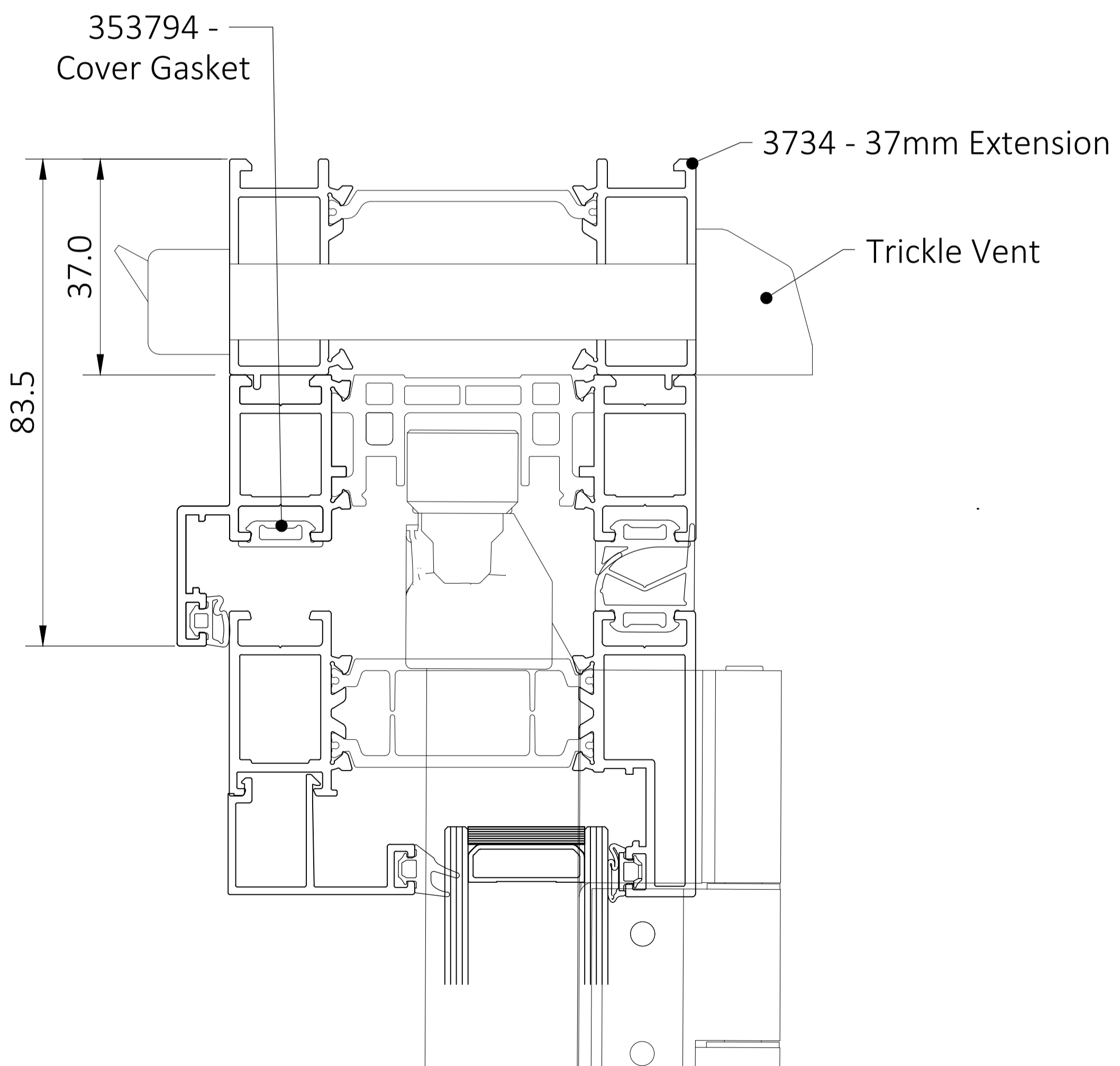
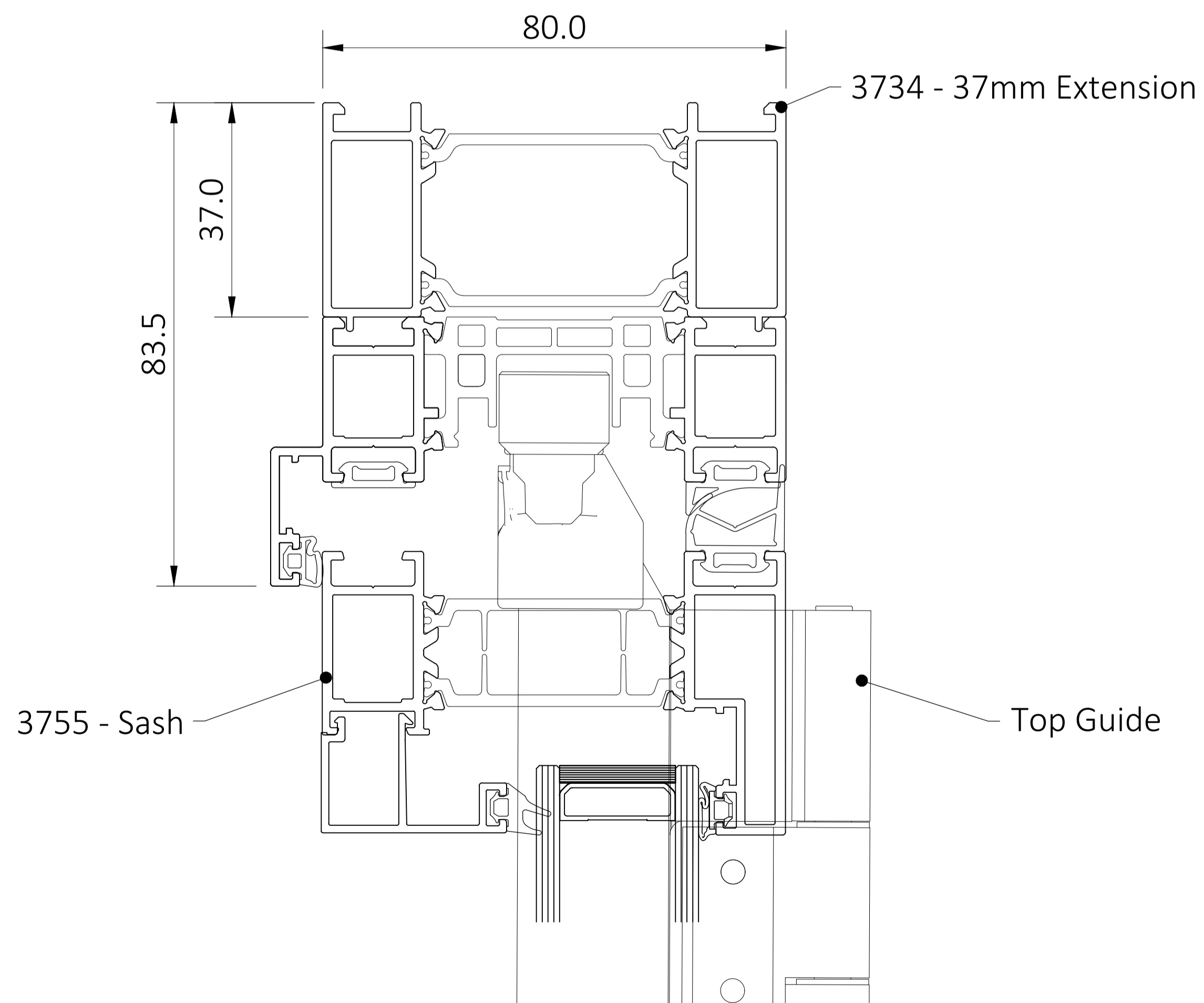
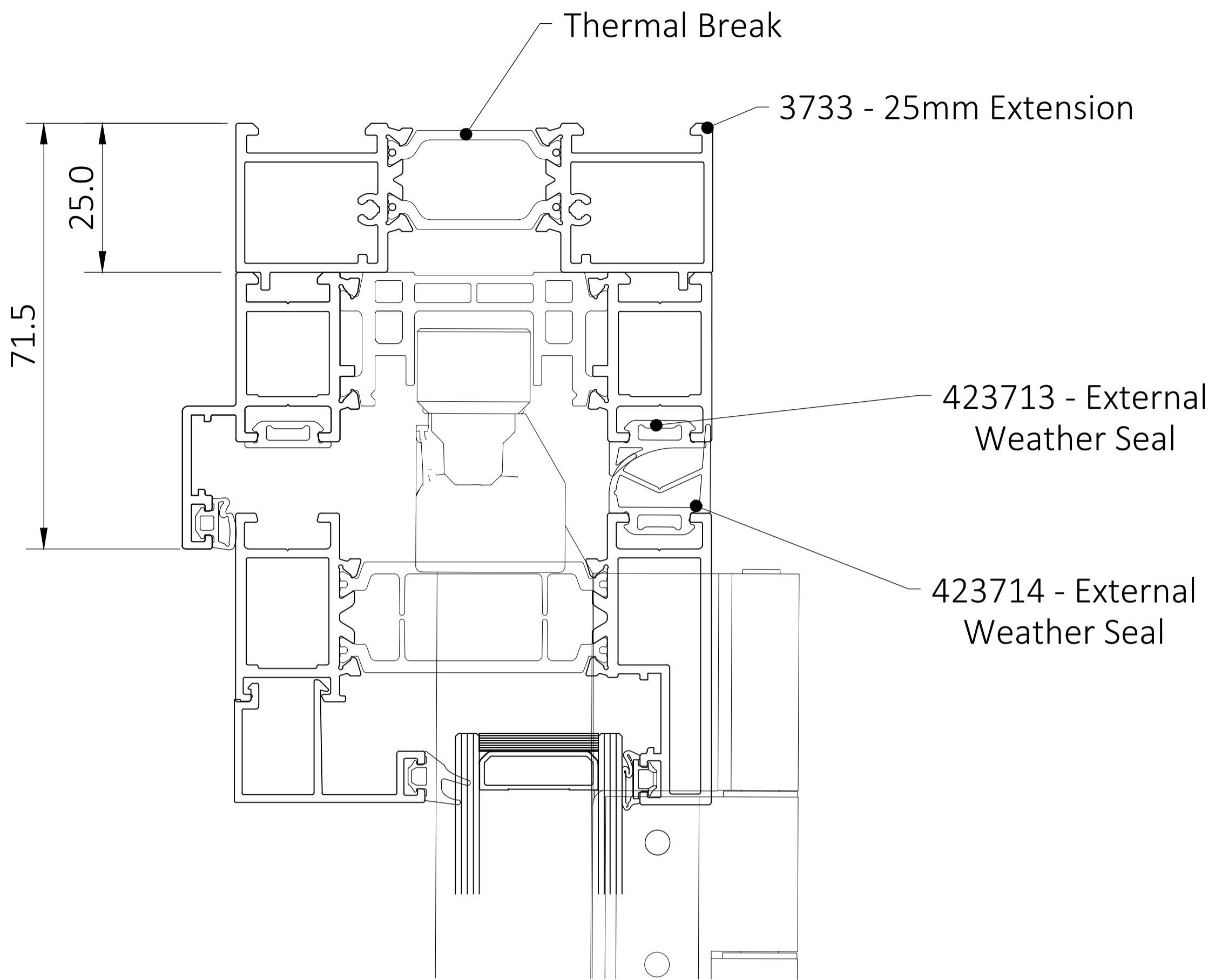


© This drawing is the property of Appley Aluminium Limited. It is a confidential document and must not be copied, used or its contents divulged without prior consent.

JOB TITLE: Cortizo Bifold Plus		
CLIENT: Appley Aluminium		
DRAWING TITLE: Non Locking Jamb Detail		
SCALE: N.T.S	DRAWN BY: JM	DATE: 01.08.24
SHEET A1	CHECKED BY: XX	DATE: dd/mm/yy
DRAWING No: Bifold Plus - AA - 006	REV. A	
STATUS: XXXXX		




AA
007



Notes
Do Not Scale Off This drawing.
If In Doubt Ask.

Revisions:		
REV.		DATE:
REV.		DATE:
REV.		DATE:
REV.		DATE:

Appley Aluminium Limited
Suite 5B
Blackthorn House
Skull House Lane
Appley Bridge
WN6 7DB



This drawing is the property of Appley Aluminium Limited. It is a confidential document and must not be copied, used or its contents divulged without prior consent.

JOB TITLE:
Cortizo Bifold Plus

CLIENT:
Appley Aluminium

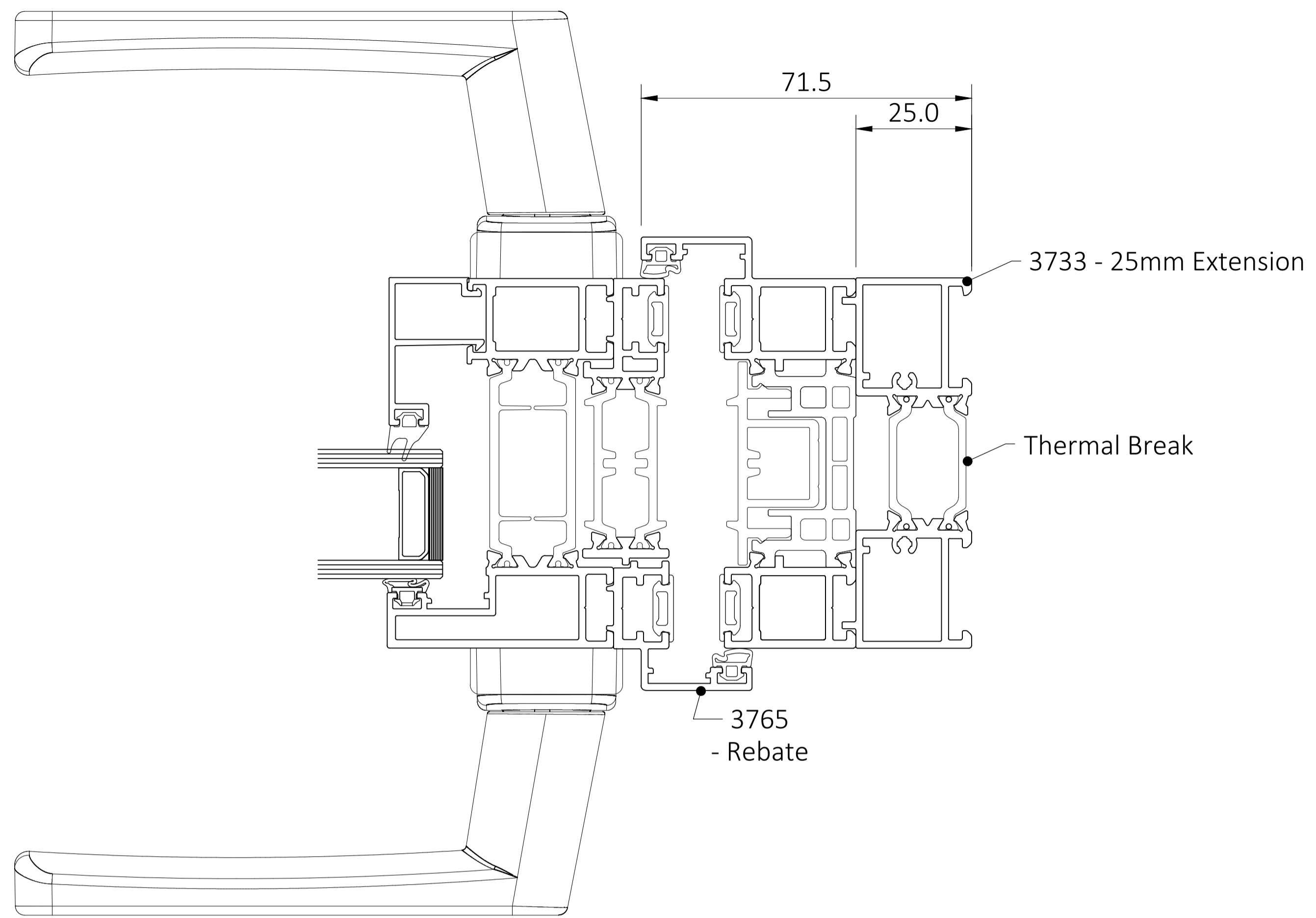
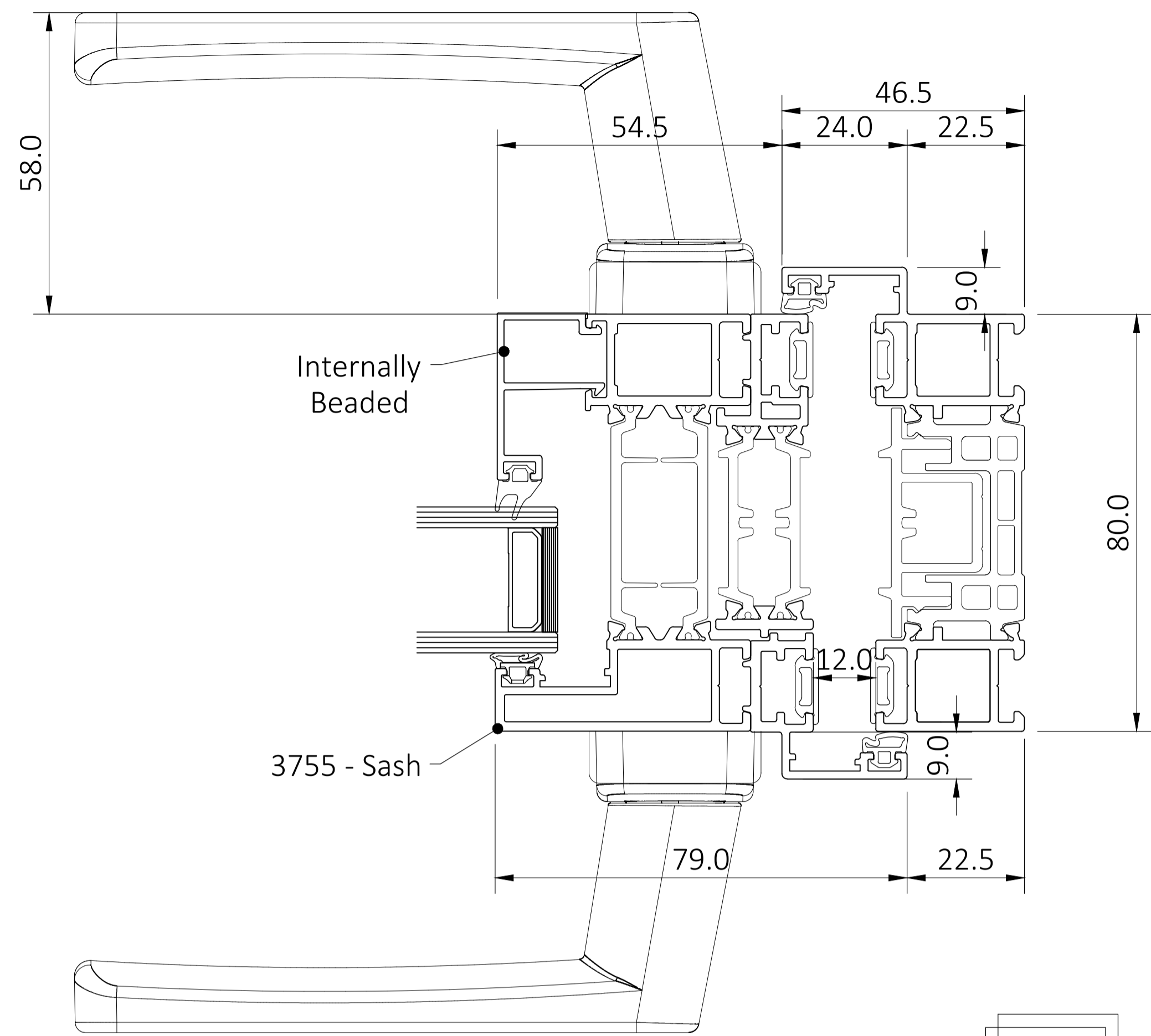
DRAWING TITLE:
Non Locking Jamb Detail

SCALE: N.T.S	DRAWN BY: JM	DATE: 01.08.24
SHEET A1	CHECKED BY: XX	DATE: dd/mm/yy

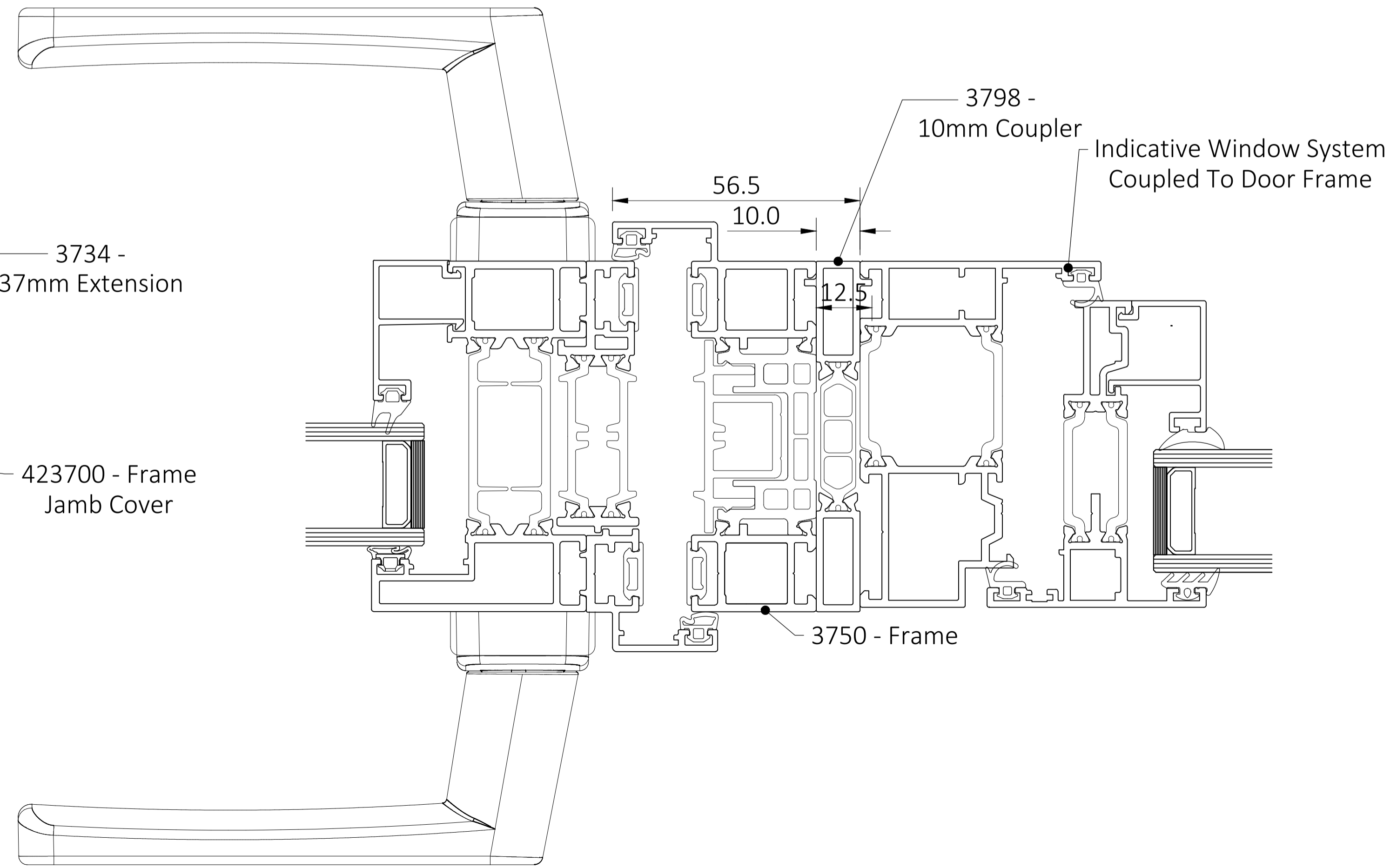
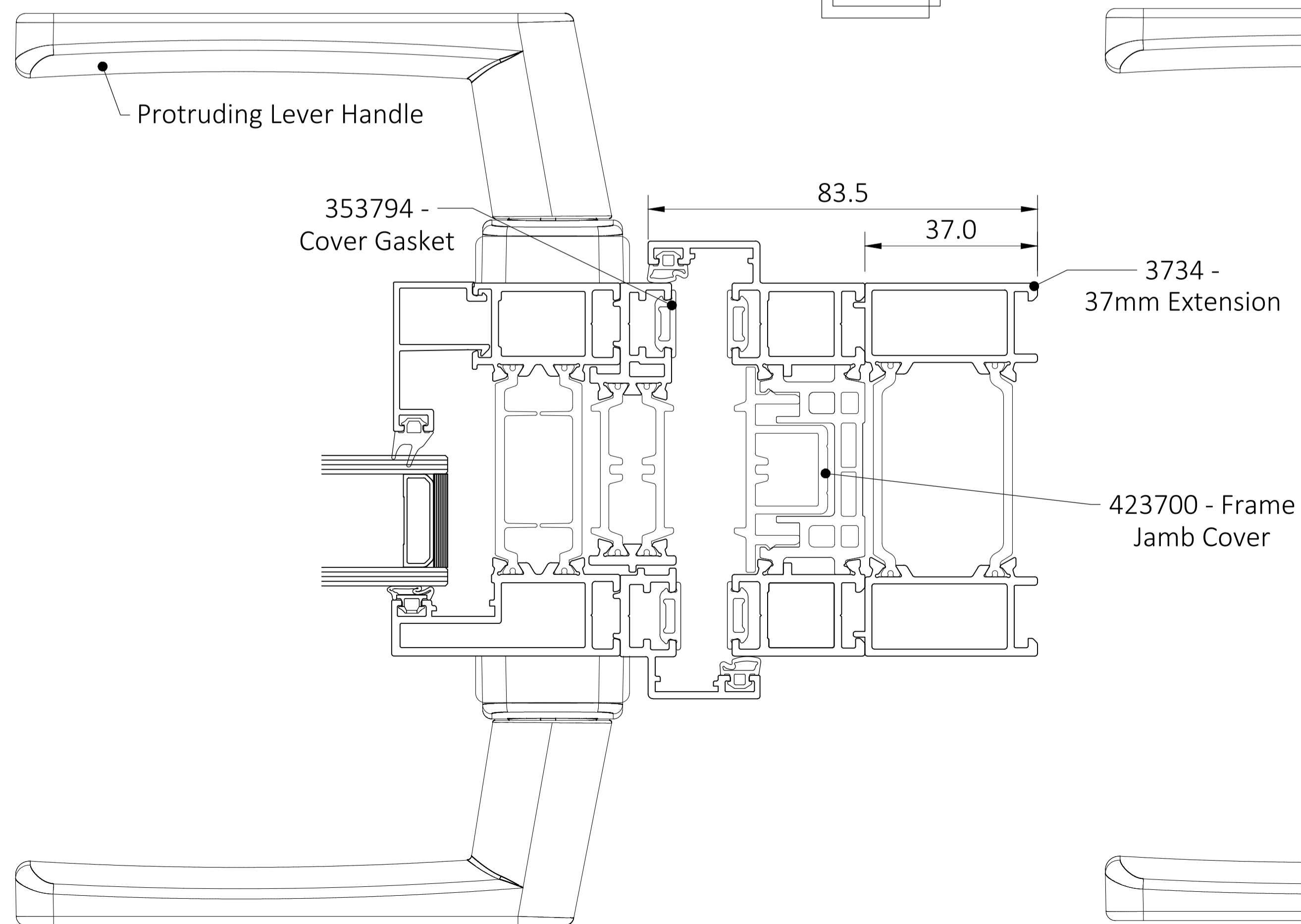
DRAWING No:
Bifold Plus - AA - 007

REV.
A

STATUS:
XXXXX




AA
008



Notes
Do Not Scale Off This drawing.
If In Doubt Ask.

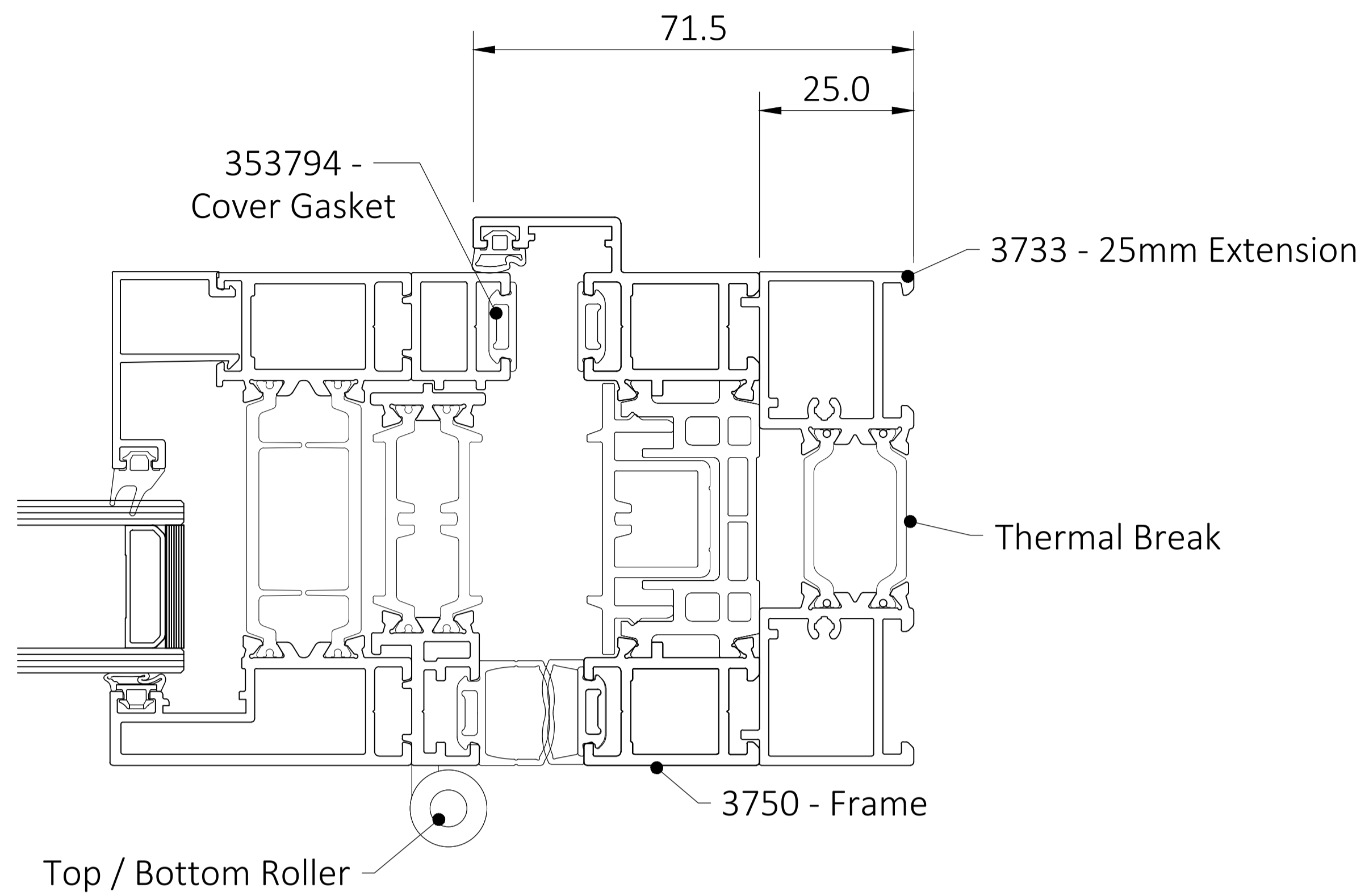
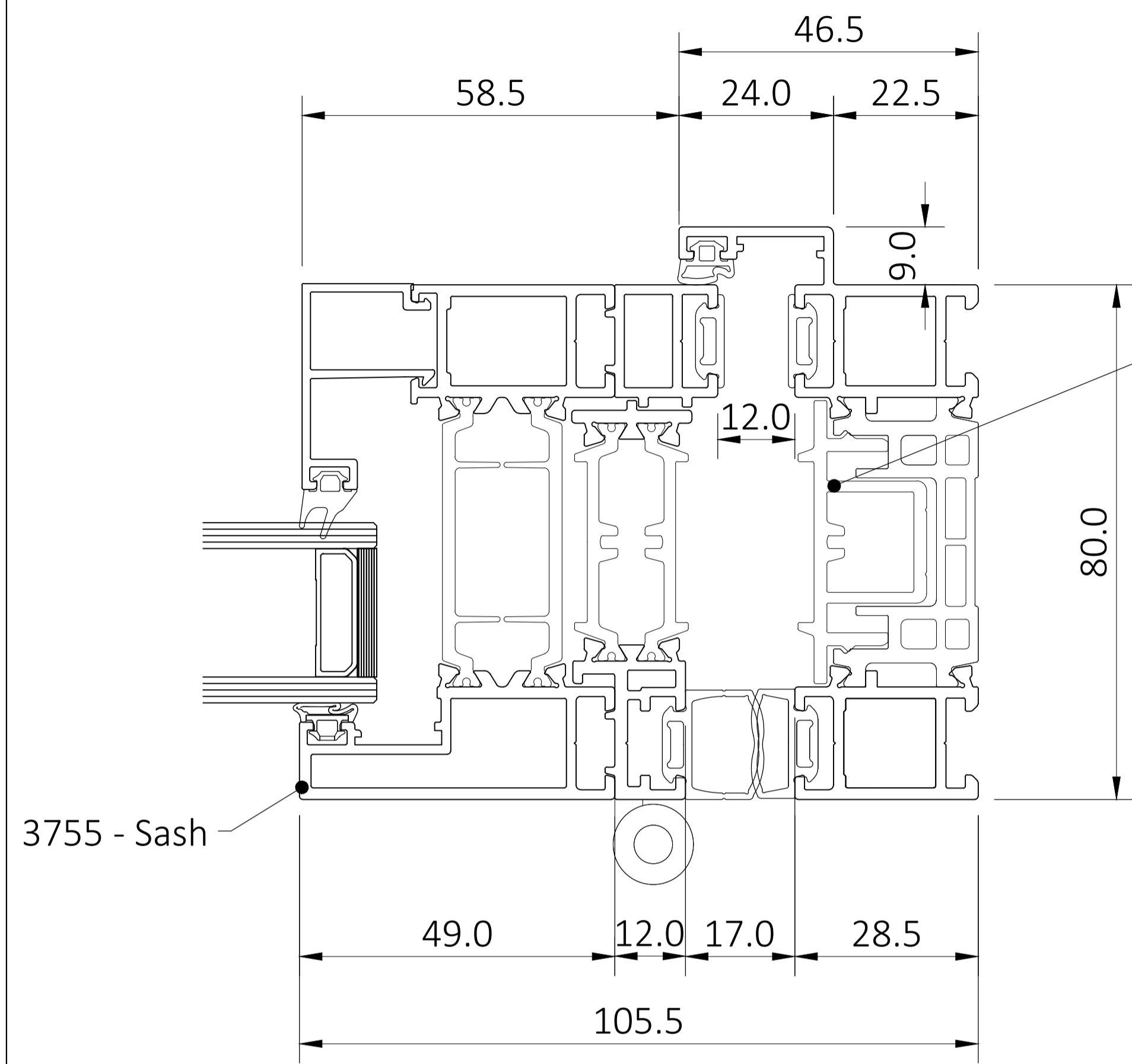
Revisions:	
REV.	DATE:
REV.	DATE:
REV.	DATE:
REV.	DATE:

Appley Aluminium Limited
Suite 5B
Blackthorn House
Skull House Lane
Appley Bridge
WN6 7DB

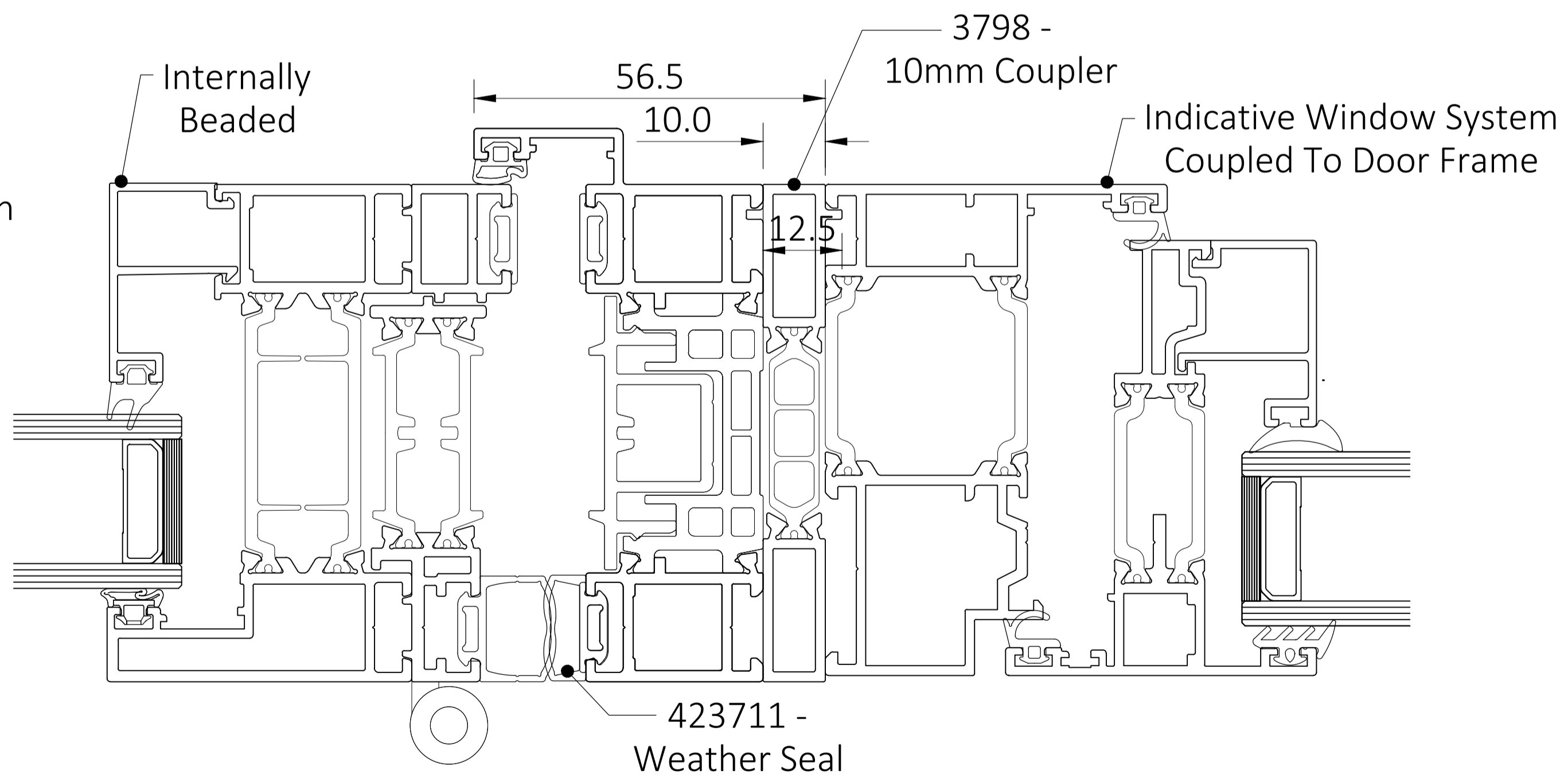
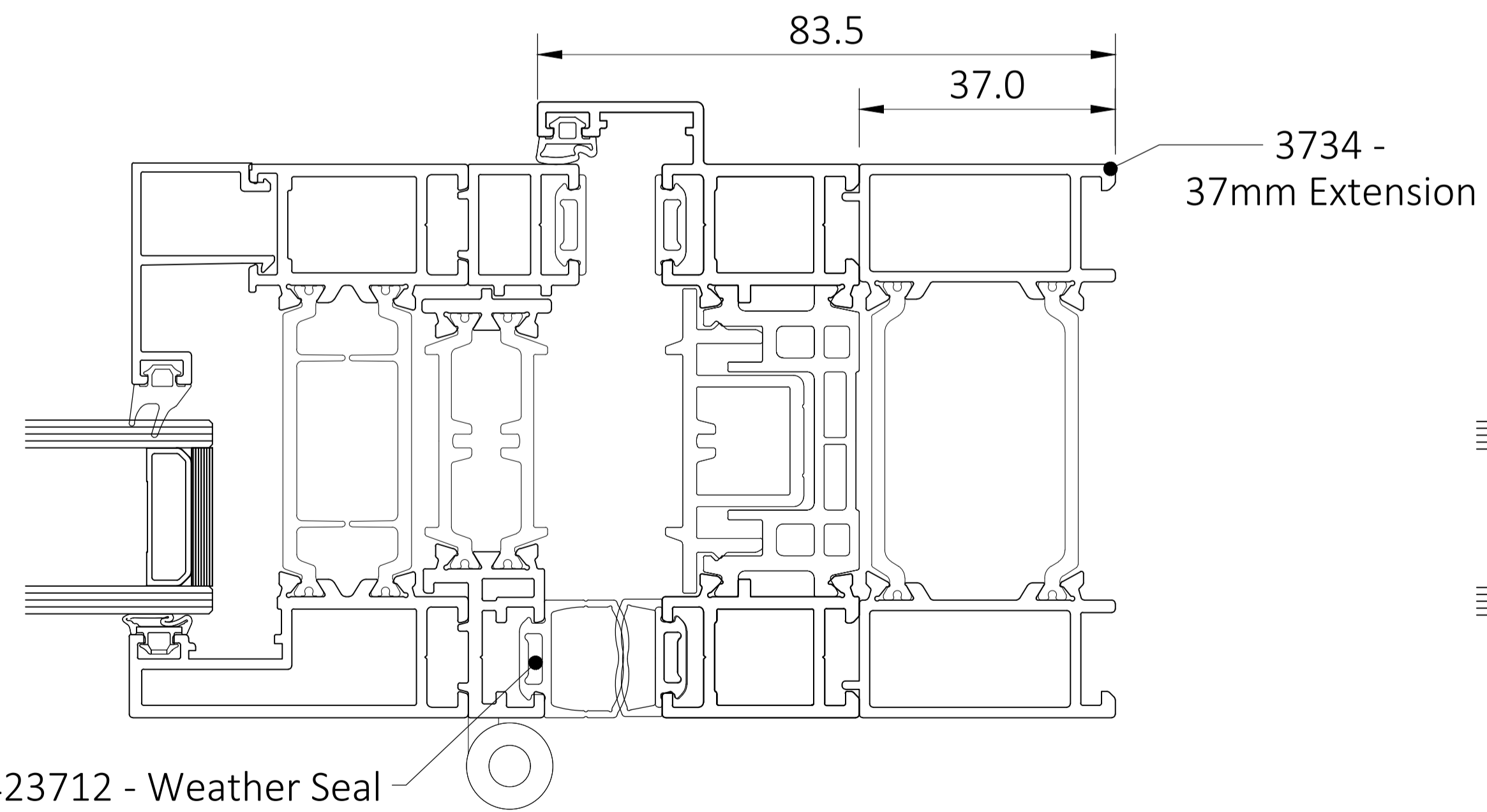


This drawing is the property of Appley Aluminium Limited. It is a confidential document and must not be copied, used or its contents divulged without prior consent.

JOB TITLE: Cortizo Bifold Plus		
CLIENT: Appley Aluminium		
DRAWING TITLE: Odd Pane Locking Jamb Detail		
SCALE: N.T.S	DRAWN BY: JM	DATE: 01.08.24
SHEET A1	CHECKED BY: XX	DATE: dd/mm/yy
DRAWING No: Bifold Plus - AA - 008		REV. A
STATUS: XXXXX		



AA
009




Notes

Do Not Scale Off This drawing.

If In Doubt Ask.

Revisions:	
REV.	DATE:
REV.	DATE:
REV.	DATE:
REV.	DATE:

Appley Aluminium Limited
 Suite 5B
 Blackthorn House
 Skull House Lane
 Appley Bridge
 WN6 7DB

 Appley Aluminium

© This drawing is the property of Appley Aluminium Limited. It is a confidential document and must not be copied, used or its contents divulged without prior consent.

JOB TITLE:
Cortizo Bifold Plus

CLIENT:
Appley Aluminium

DRAWING TITLE:
Even Pane Locking Jamb Detail

SCALE: N.T.S	DRAWN BY: JM	DATE: 01.08.24
SHEET A1	CHECKED BY: XX	DATE: dd/mm/yy

DRAWING No: Bifold Plus - AA - 009	REV. A
---------------------------------------	-----------

STATUS:
XXXXX

AA
010

Protruding Lever Handle

Fold Handle

353794 -
Cover Gasket

3765
- Rebate

58.0

Internally
Beaded

80.0

Thermal Break
Master Leaf

13.0

3755 - Sash

49.0

6.0

24.0

6.0

49.0

134.0

Notes
Do Not Scale Off This drawing.
If In Doubt Ask.

Revisions:	
REV.	DATE:
REV.	DATE:
REV.	DATE:
REV.	DATE:

Appley Aluminium Limited
Suite 5B
Blackthorn House
Skull House Lane
Appley Bridge
WN6 7DB



© This drawing is the property of Appley Aluminium Limited. It is a confidential document and must not be copied, used or its contents divulged without prior consent.

JOB TITLE:
Cortizo Bifold Plus

CLIENT:
Appley Aluminium

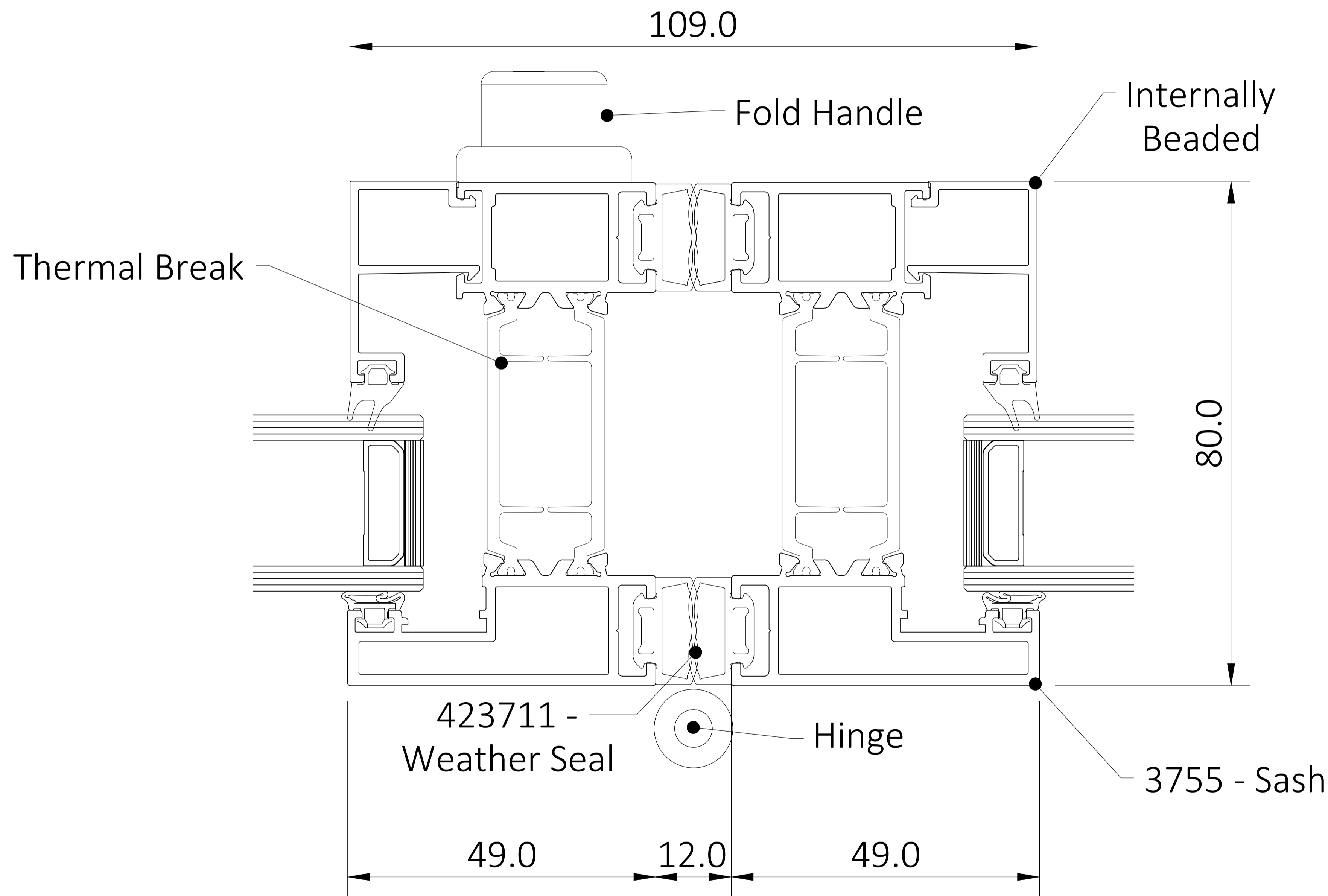
DRAWING TITLE:
French Door Locking Detail

SCALE: N.T.S	DRAWN BY: JM	DATE: 01.08.24
SHEET A1	CHECKED BY: XX	DATE: dd/mm/yy

DRAWING No: Bifold Plus - AA - 010	REV. A
---------------------------------------	-----------

STATUS:
XXXXX

AA
011



Notes
Do Not Scale Off This drawing.
If In Doubt Ask.

Revisions:	
REV.	DATE:
REV.	DATE:
REV.	DATE:
REV.	DATE:

Appley Aluminium Limited
Suite 5B
Blackthorn House
Skull House Lane
Appley Bridge
WN6 7DB



© This drawing is the property of Appley Aluminium Limited. It is a confidential document and must not be copied, used or its contents divulged without prior consent.

JOB TITLE:
Cortizo Bifold Plus

CLIENT:
Appley Aluminium

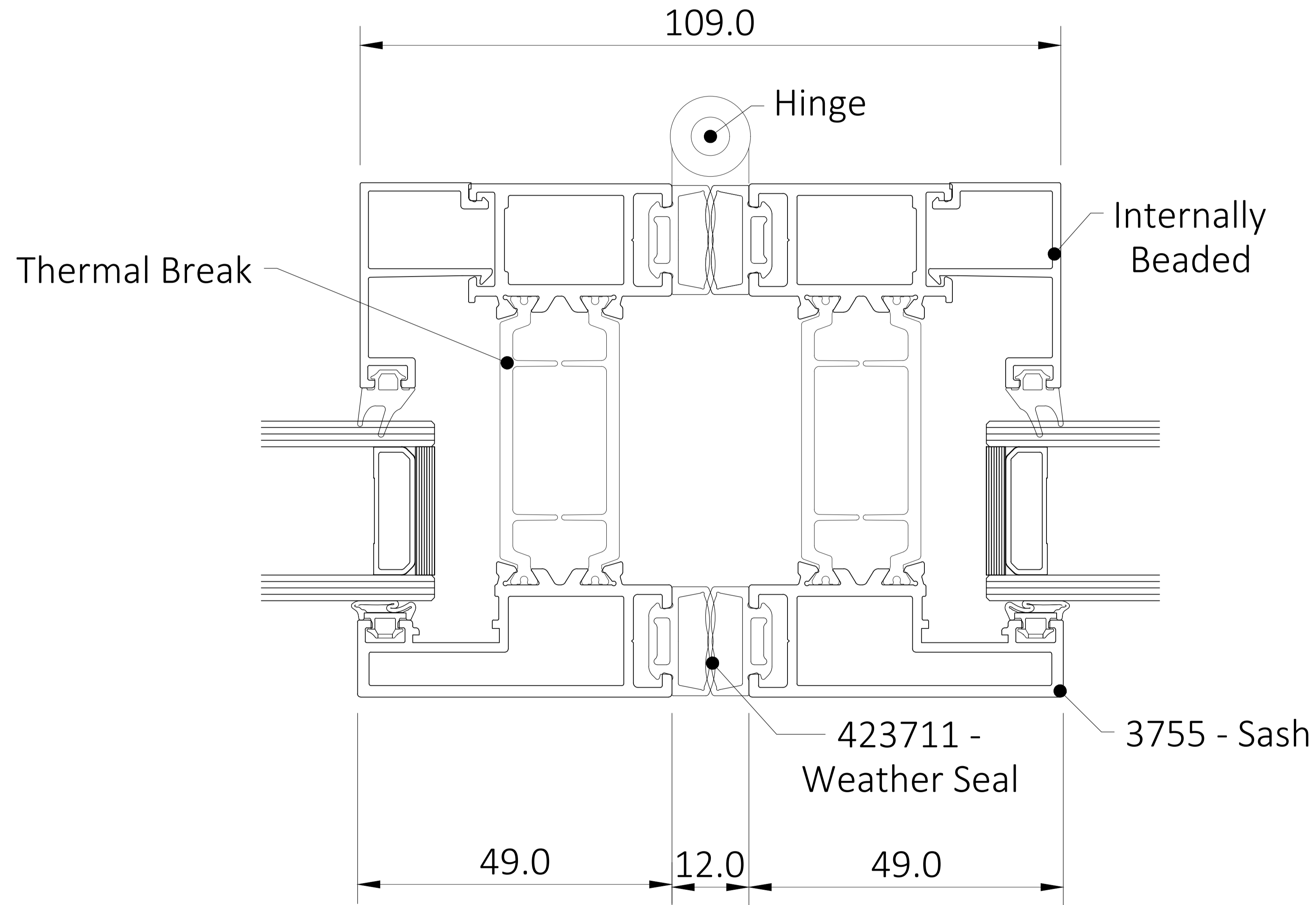
DRAWING TITLE:
Shootbolt Locking Detail

SCALE: N.T.S	DRAWN BY: JM	DATE: 01.08.24
SHEET A1	CHECKED BY: XX	DATE: dd/mm/yy

DRAWING No: Bifold Plus - AA - 011	REV. A
---------------------------------------	-----------

STATUS:
XXXXX

AA
012



Notes

Do Not Scale Off This drawing.
If In Doubt Ask.

Revisions:	
REV.	DATE:
REV.	DATE:
REV.	DATE:
REV.	DATE:

Appley Aluminium Limited
Suite 5B
Blackthorn House
Skull House Lane
Appley Bridge
WN6 7DB



© This drawing is the property of Appley Aluminium Limited. It is a confidential document and must not be copied, used or its contents divulged without prior consent.

JOB TITLE:
Cortizo Bifold Plus

CLIENT:
Appley Aluminium

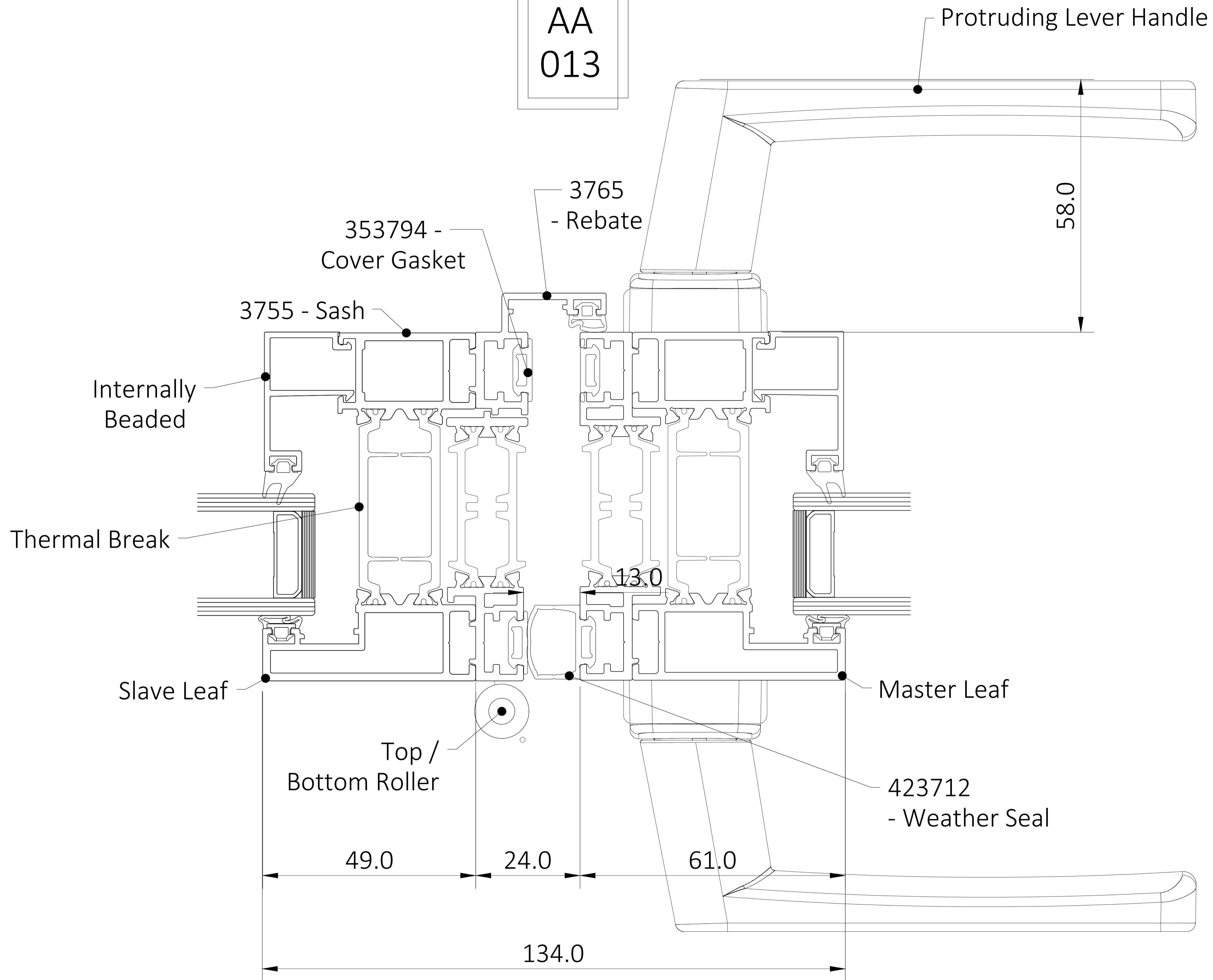
DRAWING TITLE:
Shootbolt Locking Detail

SCALE: N.T.S	DRAWN BY: JM	DATE: 01.08.24
SHEET A1	CHECKED BY: XX	DATE: dd/mm/yy

DRAWING No: Bifold Plus - AA - 012	REV. A
---------------------------------------	-----------

STATUS:
XXXXX

AA
013



Notes
Do Not Scale Off This drawing.
If In Doubt Ask.

Revisions:	
REV.	DATE:
REV.	DATE:
REV.	DATE:
REV.	DATE:

Appley Aluminium Limited
Suite 5B
Blackthorn House
Skull House Lane
Appley Bridge
WN6 7DB



© This drawing is the property of Appley Aluminium Limited. It is a confidential document and must not be copied, used or its contents divulged without prior consent.

JOB TITLE:
Cortizo Bifold Plus

CLIENT:
Appley Aluminium

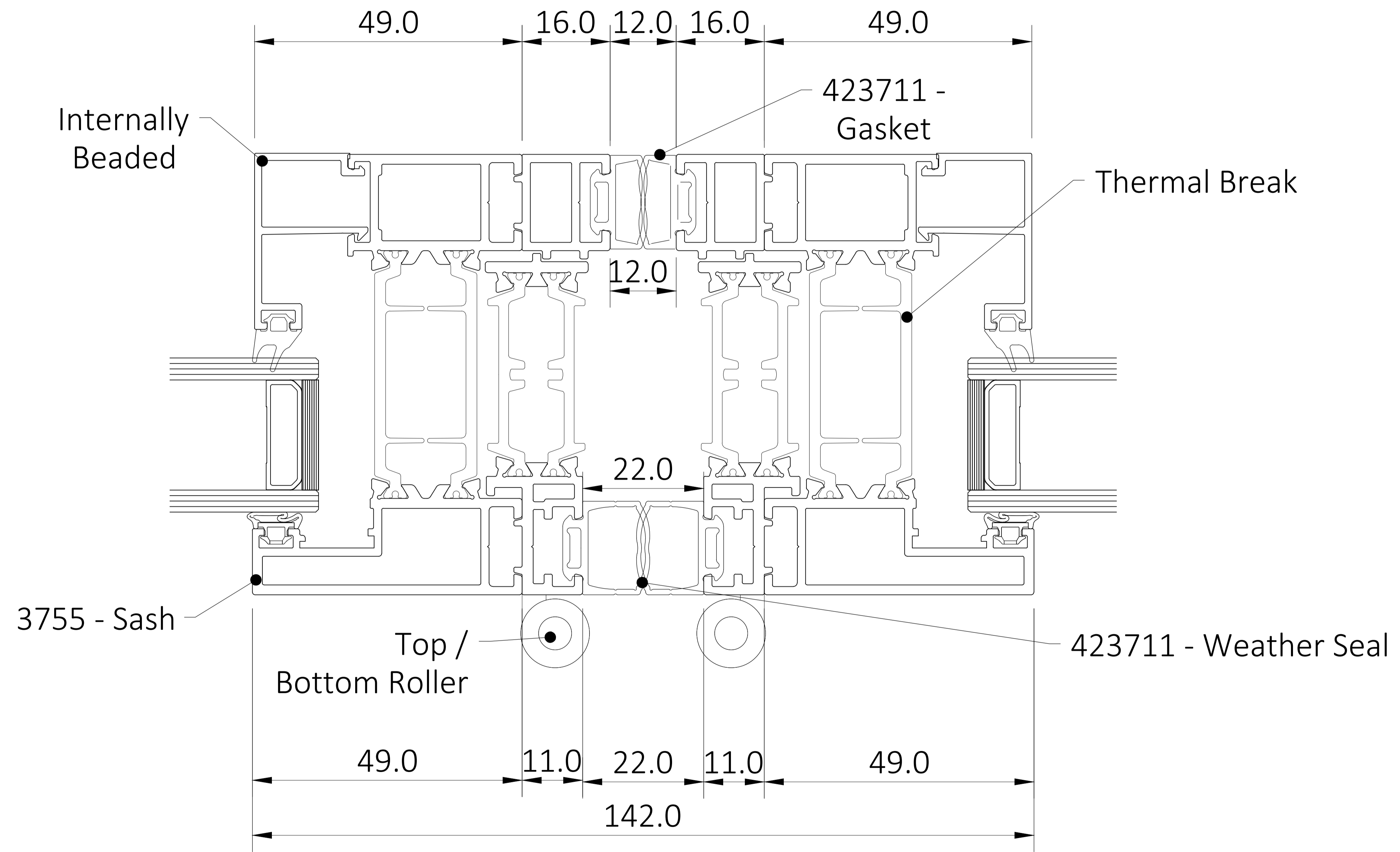
DRAWING TITLE:
Odd Con Locking To Even Con

SCALE: N.T.S	DRAWN BY: JM	DATE: 01.08.24
SHEET A1	CHECKED BY: XX	DATE: dd/mm/yy

DRAWING No: Bifold Plus - AA - 013	REV. A
---------------------------------------	-----------

STATUS:
XXXXX

AA
014



Notes
Do Not Scale Off This drawing.
If In Doubt Ask.

Revisions:	
REV.	DATE:
REV.	DATE:
REV.	DATE:
REV.	DATE:

Appley Aluminium Limited
Suite 5B
Blackthorn House
Skull House Lane
Appley Bridge
WN6 7DB



© This drawing is the property of Appley Aluminium Limited. It is a confidential document and must not be copied, used or its contents divulged without prior consent.

JOB TITLE:
Cortizo Bifold Plus

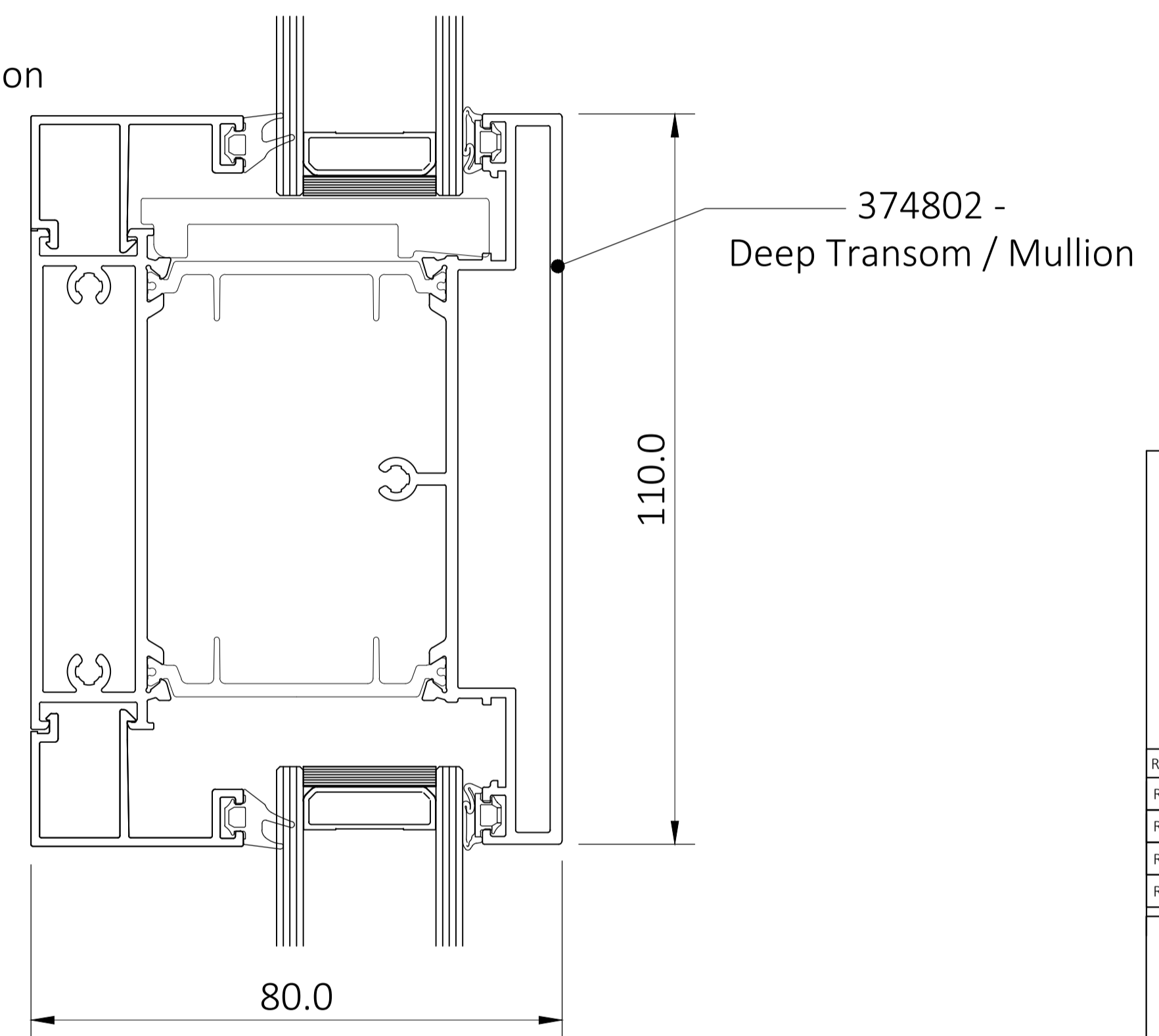
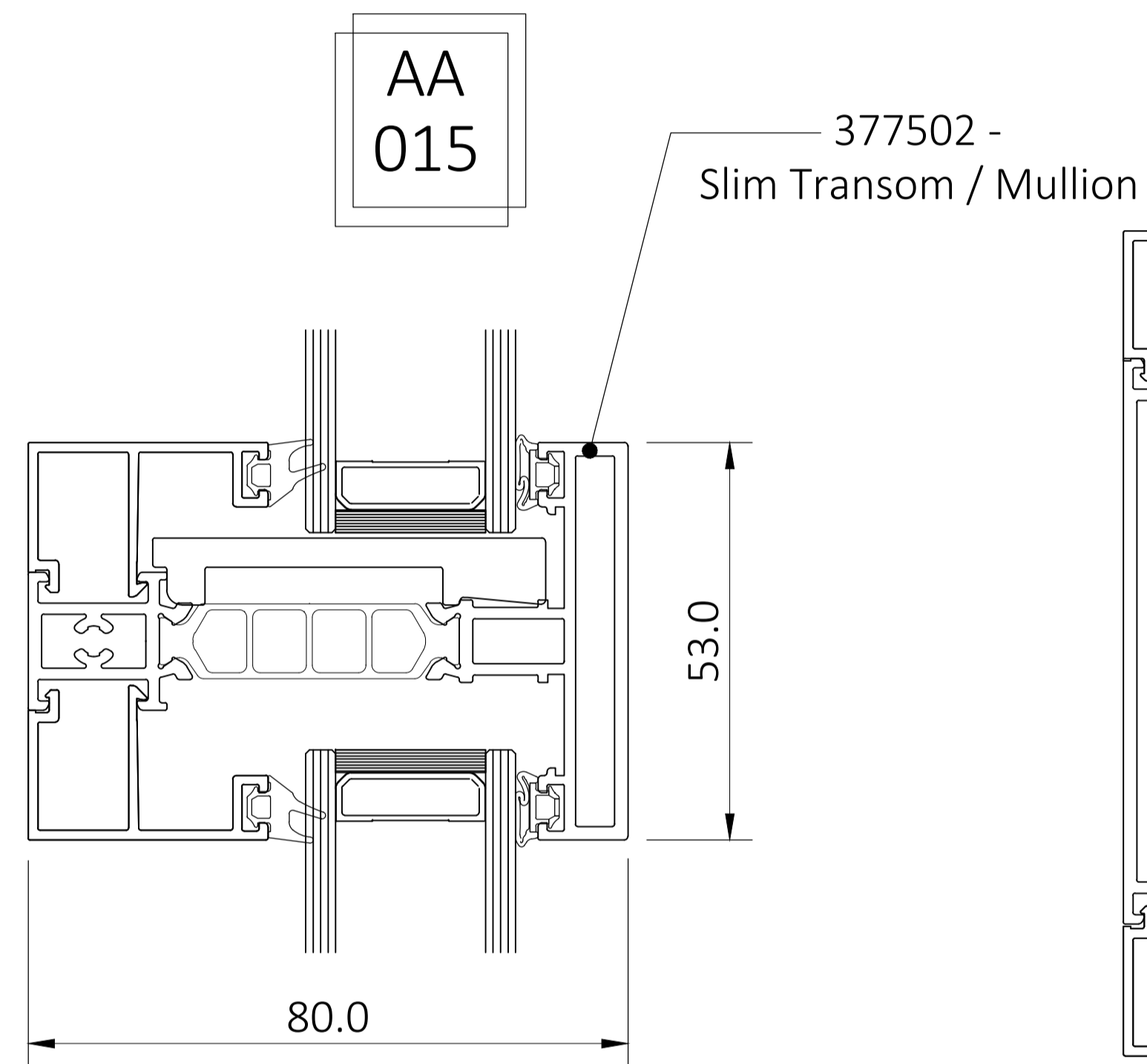
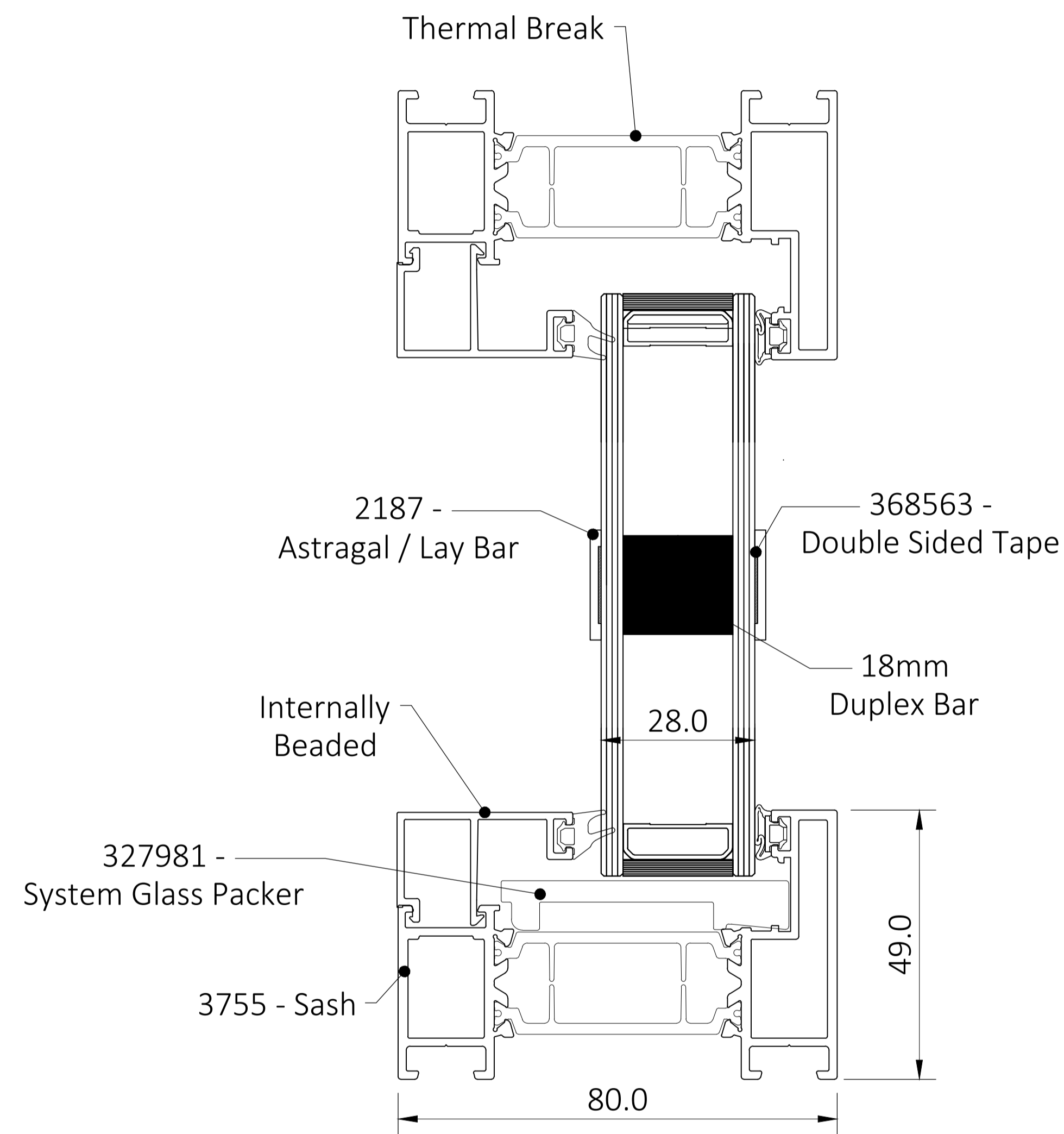
CLIENT:
Appley Aluminium

DRAWING TITLE:
Even Con Locking To Even Con

SCALE: N.T.S	DRAWN BY: JM	DATE: 01.08.24
SHEET A1	CHECKED BY: XX	DATE: dd/mm/yy

DRAWING No: Bifold Plus - AA - 014	REV. A
---------------------------------------	-----------

STATUS:
XXXXX



Notes

Do Not Scale Off This drawing.

If In Doubt Ask.

Revisions:	
REV.	DATE:
REV.	DATE:
REV.	DATE:
REV.	DATE:

Appley Aluminium Limited
 Suite 5B
 Blackthorn House
 Skull House Lane
 Appley Bridge
 WN6 7DB



© This drawing is the property of Appley Aluminium Limited. It is a confidential document and must not be copied, used or its contents divulged without prior consent.

JOB TITLE:
Cortizo Bifold Plus

CLIENT:
Appley Aluminium

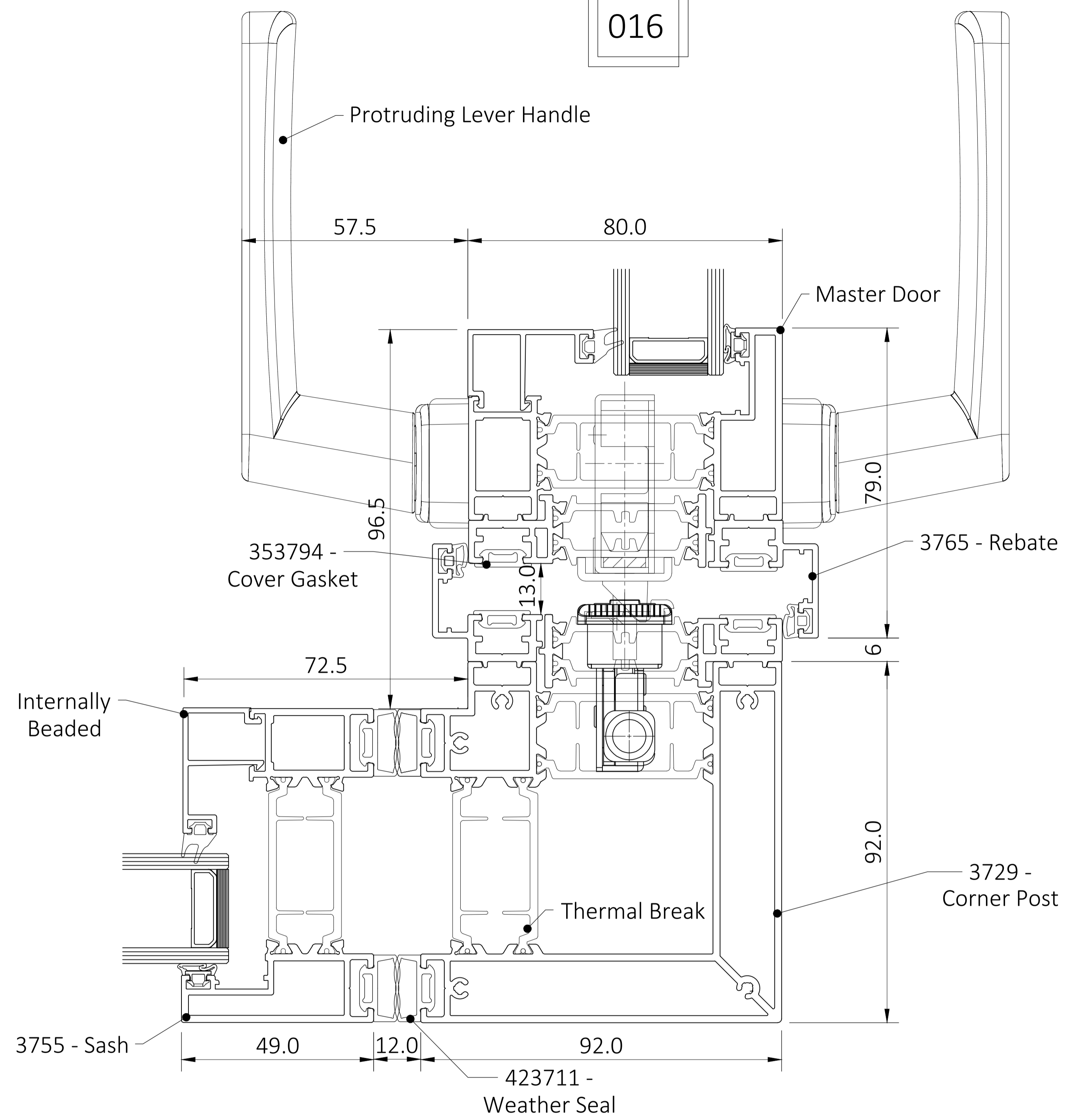
DRAWING TITLE:
Even Con Locking To Even Con

SCALE: N.T.S	DRAWN BY: JM	DATE: 01.08.24
SHEET A1	CHECKED BY: XX	DATE: dd/mm/yy

DRAWING No: Bifold Plus - AA - 015	REV. A
---------------------------------------	-----------

STATUS:
XXXXX

AA
016



Notes
Do Not Scale Off This drawing.
If In Doubt Ask.

Revisions:	
REV.	DATE:
REV.	DATE:
REV.	DATE:
REV.	DATE:

Appley Aluminium Limited
Suite 5B
Blackthorn House
Skull House Lane
Appley Bridge
WN6 7DB

© This drawing is the property of Appley Aluminium Limited. It is a confidential document and must not be copied, used or its contents divulged without prior consent.

JOB TITLE: Cortizo Bifold Plus		
CLIENT: Appley Aluminium		
DRAWING TITLE: Floating Corner Odd & Even		
SCALE: N.T.S	DRAWN BY: JM	DATE: 01.08.24
SHEET: A1	CHECKED BY: XX	DATE: dd/mm/yy
DRAWING No: Bifold Plus - AA - 016	REV. A	
STATUS: XXXXX		



Appley Aluminium

Apply Aluminium
Suite 5B



Blackthorn House
Skull House Lane
Appley Bridge
WN6 7DB



www.Appleyaluminium.co.uk



Email: Hello@Appleyaluminium.co.uk



Tel: 01942 835 096